

2 RPM Drive Unit

$\frac{5}{16}$ " \varnothing Output Shaft

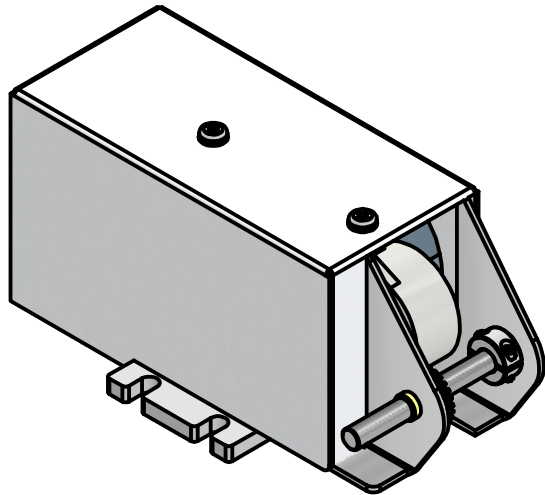
P/N MOV-T-BDMI

DS-548

97 West Street, Medfield, MA 02052

p: 508.359.4396 f: 508.359.4482

www.electrictime.com



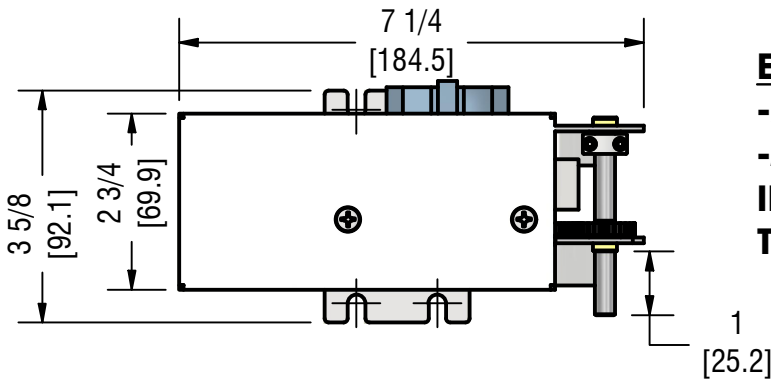
FRONT ISOMETRIC VIEW

MECHANICAL SPECIFICATIONS

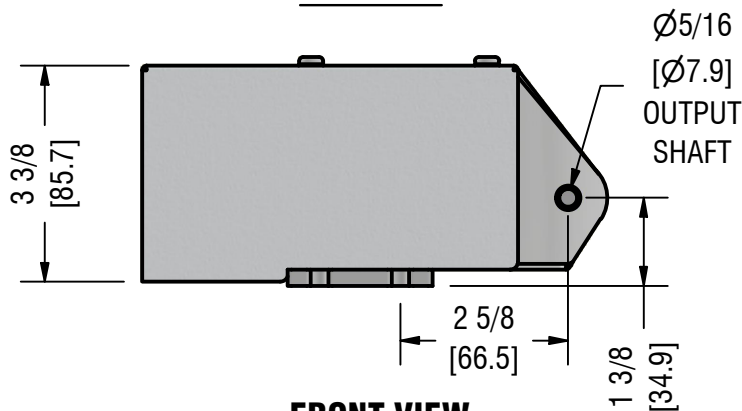
- REPLACEMENT FOR BODINE MOTORS
- OPERATES AT 2 RPM WHEN CONNECTED TO MI OUTPUT OF 99B-MI CONTROLLER
- ACTUAL RUN TIME: 6 sec.
- STOCKED w/ $\frac{5}{16}$ " OUTPUT SHAFT
- OTHER OPTIONS AVAILABLE PER SPECIAL REQUEST

ELECTRICAL SPECIFICATIONS

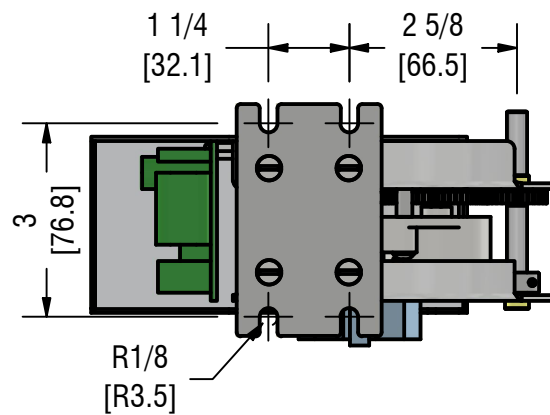
- 24VAC-50/60Hz-300mA-7W
- ALTERNATING DRIVE SIGNAL MINUTE IMPULSE OPERATION (USING ELECTRIC TIME CO. 99B-MI CLOCK CONTROLLER)



TOP VIEW



FRONT VIEW



BOTTOM VIEW