

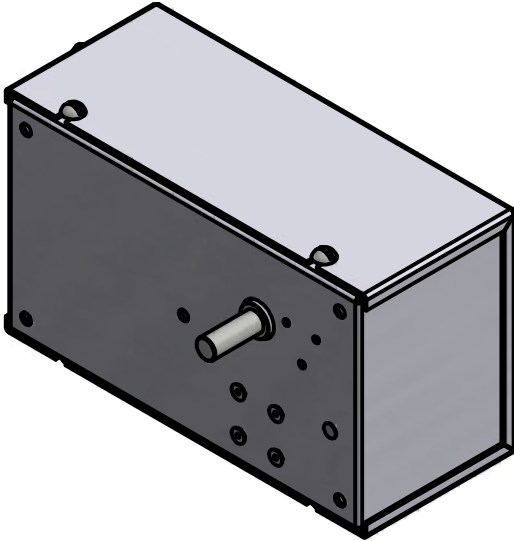
**1 RPM Drive Unit  
3/8" Output Shaft  
P/N MOVT-MI-1RPM-375**

**DS-546**

97 West Street, Medfield, MA 02052

**p: 508.359.4396 f: 508.359.4482**

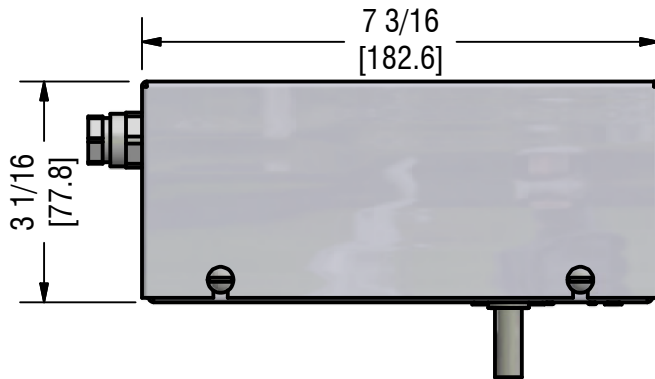
**[www.electrictime.com](http://www.electrictime.com)**



**FRONT ISOMETRIC VIEW**

**MECHANICAL SPECIFICATIONS**

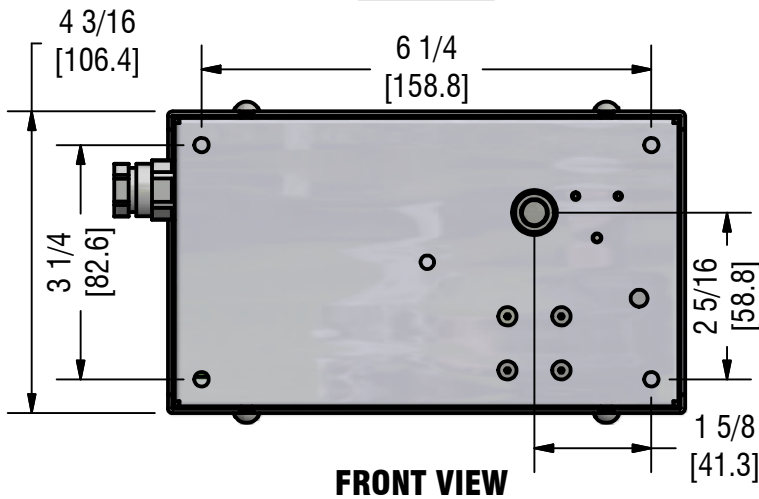
- OPERATES AT 1RPM WHEN CONNECTED TO MI OUTPUT OF 99B-MI CONTROLLER
- ACTUAL RUN TIME 6 sec.
- STOCKED w/ Ø3/8" SHAFT
- OTHER OPTIONS AVAILABLE PER SPECIAL REQUEST



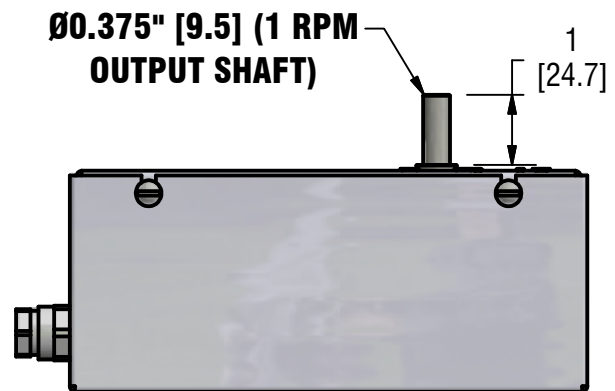
**TOP VIEW**

**ELECTRICAL SPECIFICATIONS**

- 24VAC-50/60Hz-300mA-7W
- ALTERNATING DRIVE SIGNAL MINUTE IMPULSE OPERATION (USING ELECTRIC TIME CO. 99B-MI CLOCK CONTROLLER)



**FRONT VIEW**



**BOTTOM VIEW**