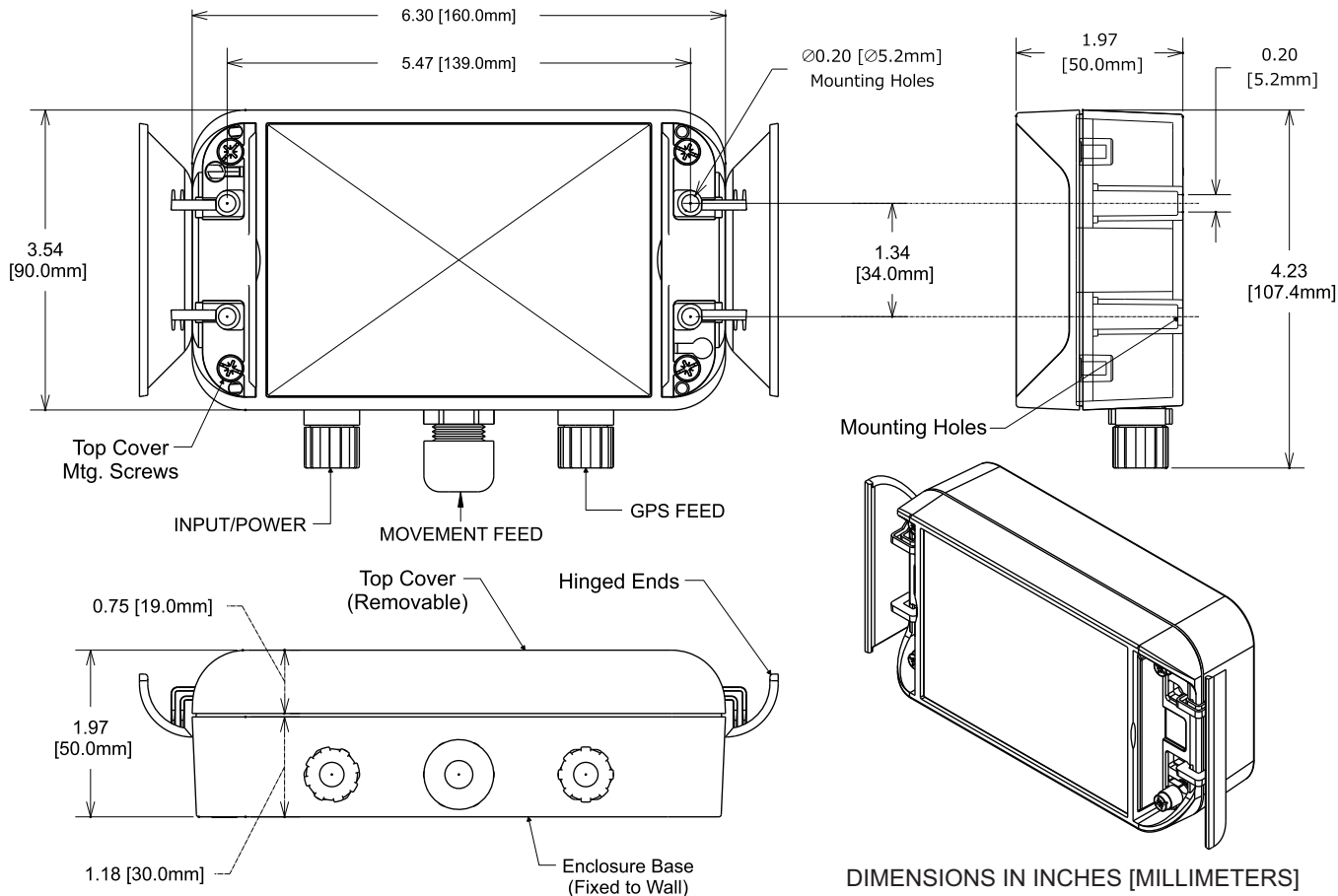




100A-RP Clock Controller

The 100A-RP Clock Controller is a microprocessor based master clock that provides completely automatic control of Electric Time “RP” clocks.

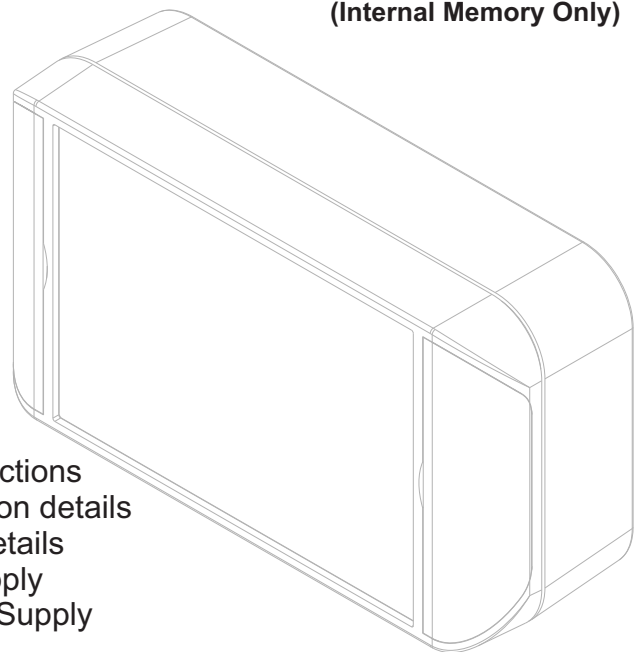
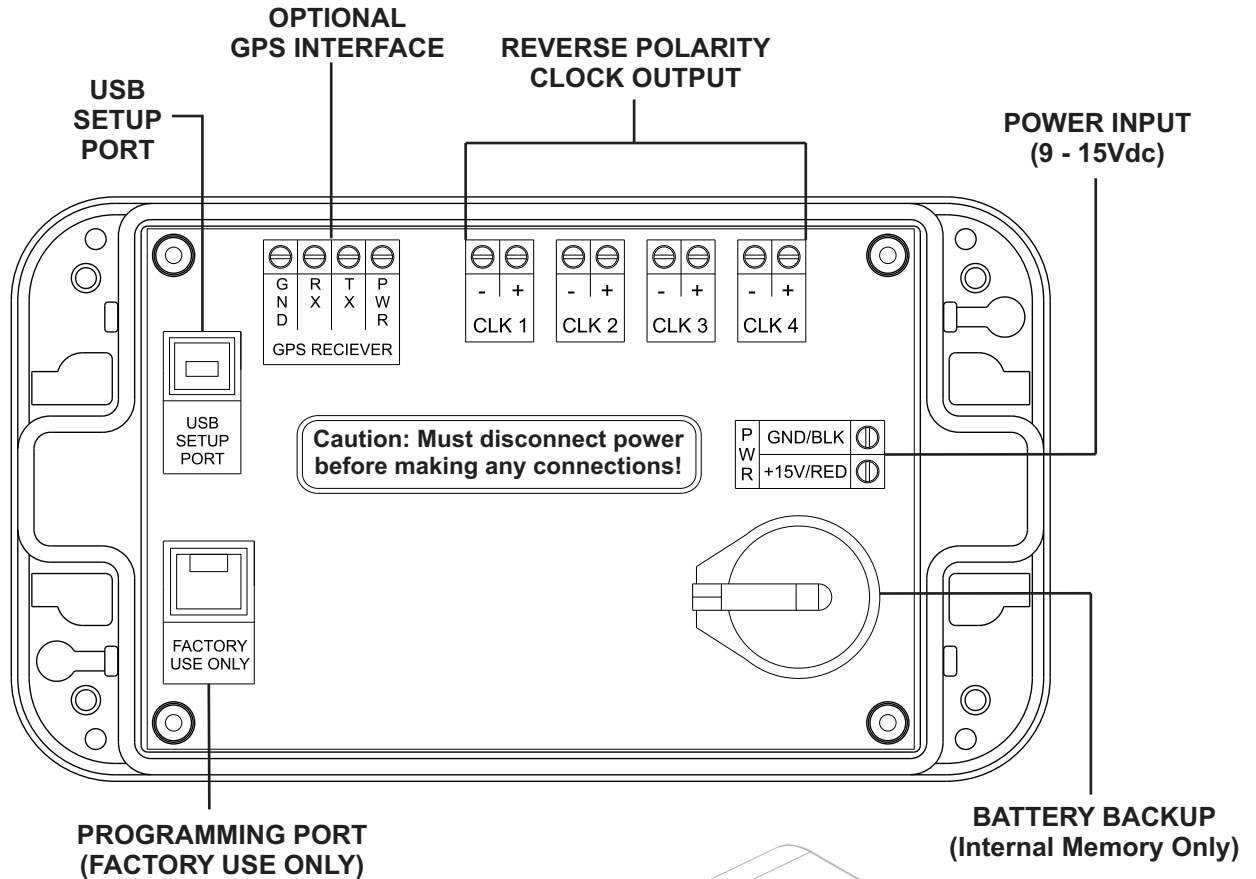
- ⌚ Provides “Reverse Polarity” (RP) Control
- ⌚ Clock hands index from one minute to the next
- ⌚ Automatically resets clocks after power failures (resets up to 60X speed)
- ⌚ Automatically resets clocks for Daylight Saving Time (if required)
- ⌚ Precision Quartz Time Base
- ⌚ Optional GPS interface for ultimate time keeping accuracy
- ⌚ 10 Year Battery Backup for time base
- ⌚ For indoor or outdoor use - Protected to IP65



100A-RP Specifications

Compact Size	6.30 (160mm) x 3.54 (90mm) x 1.97 (50mm)
Input Power	12Vdc - Plug in Transformer or Battery Pack (Power Supply)
Output Power	24Vdc Reverse Polarity
Maximum Outputs	Controls up to (4) Reverse Polarity (RP) Clocks {Independent setting for all (4) clocks}
Programmable	Advance Rate, Pulse Duration, DST Rule & UTC Offset
Connections	Terminals inside enclosure (Under Top Cover)
Communication	RS-485 port (GPS Interface)
Clock Settings	Automatic Resetting for DST & Power Outages
Cable Entry	Gland fittings provided on Enclosure Base

Terminal Layout



Reference Documentation:

- Manual M-407 for installation & operation instructions
- Drawing A-14323 for wiring diagram & connection details
- Drawing A-13217 for overall size & assembly details
- Drawing A-14015-1 for Hard Wired / Power Supply
- Drawing A-14160-B3 for Battery Pack / Power Supply