

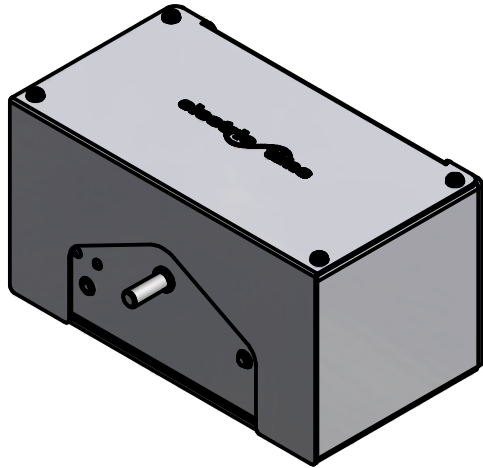
DS-538

**C1 MINUTE IMPULSE
DRIVE MOVEMENT**

97 West Street, Medfield, MA 02052

p: 508.359.4396 f: 508.359.4482

www.electrictime.com



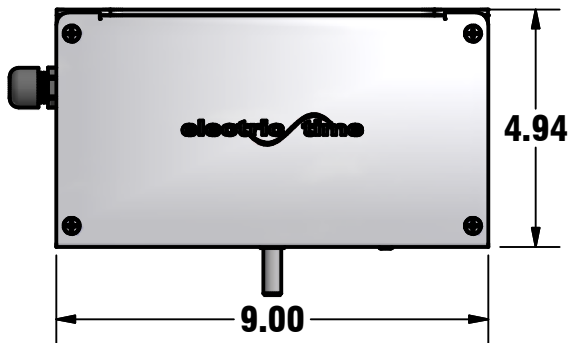
FRONT ISOMETRIC VIEW

MECHANICAL SPECIFICATIONS

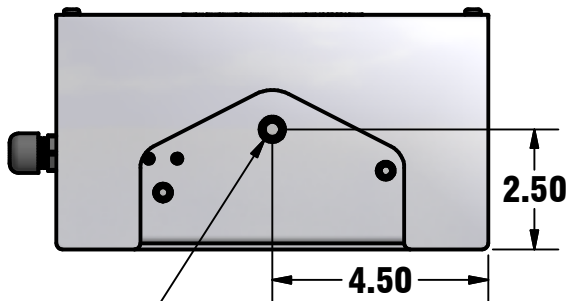
- 1) 1 RPH OUTPUT FOR USE WITH EXISTING DIAL GEARS
- 2) DRIVES UP TO 72" DIAL WITH UNPROTECTED HANDS
- 3) HAND AND DIAL GEAR DESIGN WILL AFFECT MAXIMUM DIAL SIZE. CONTACT FACTORY FOR DESIGN ASSISTANCE
- 4) CONTACT FACTORY FOR MOUNTING BRACKET INFORMATION

ELECTRICAL SPECIFICATIONS

- 1) 24VAC-50/60Hz-300mA-7W
- 2) ALTERNATING DRIVE SIGNAL MINUTE IMPULSE OPERATION (USING ELECTRIC TIME CO. 99B-MI CLOCK CONTROLLER)

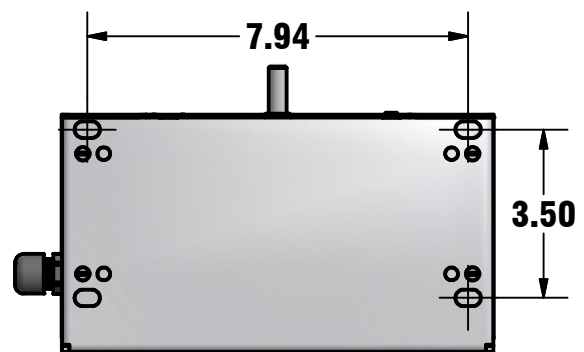


TOP VIEW



FRONT VIEW

Ø0.375" (1 RPH
OUTPUT SHAFT)



BOTTOM VIEW

Note: Specifications subject to change without notice