

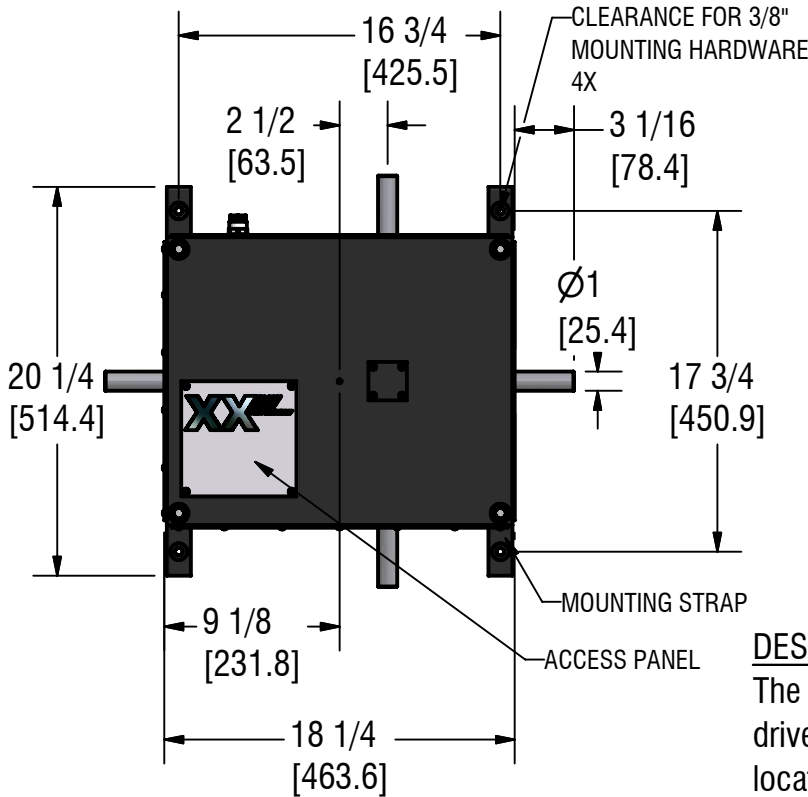
XXMI 4-WAY MOVEMENT

DS-522

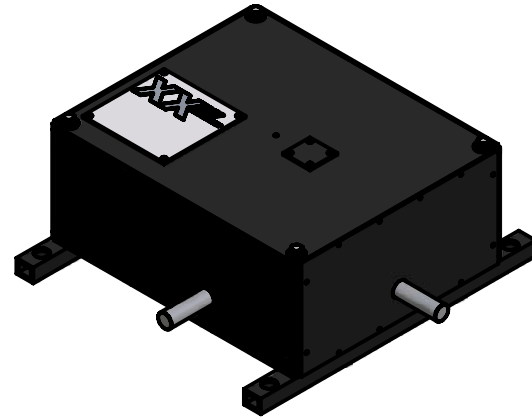
45 West Street, Medfield, MA 02052

p: 508.359.4396 f: 508.359.4482

www.electrictime.com



TOP VIEW



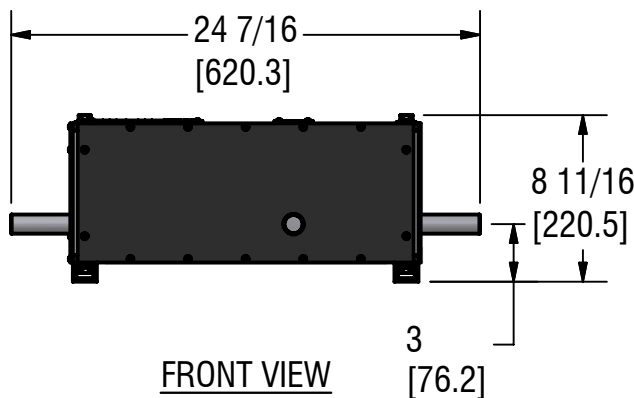
FRONT ISOMETRIC VIEW

DESCRIPTION

The XXMI is a 4-way movement designed to drive up to (4) clocks from one central location. This movement is a robust, reliable maintenance-free mechanism that can be used to replace existing tower clock movements or to provide a unique design alternative for new installations.

SPECIFICATIONS

- For use with clocks up to $\varnothing 180"$ [4600] dial
- Weatherproof aluminum housing
- Clamp couplings provided on each output shaft ($\varnothing 1"$) *not shown*
- Minute Impulse operation. Electric Time Co. 99B-MI clock controller required
- 24VAC-50/60Hz 450mA (8sec/min run time)



FRONT VIEW

PART NUMBER: MOV-XXMI

**Maximum dial ratings are based on hand profiles. Consult ETC for specifications and hand sizes*

Note: Specifications subject to change without notice

All dimensions: inches[millimeters]

Copyright 2006 all rights reserved