

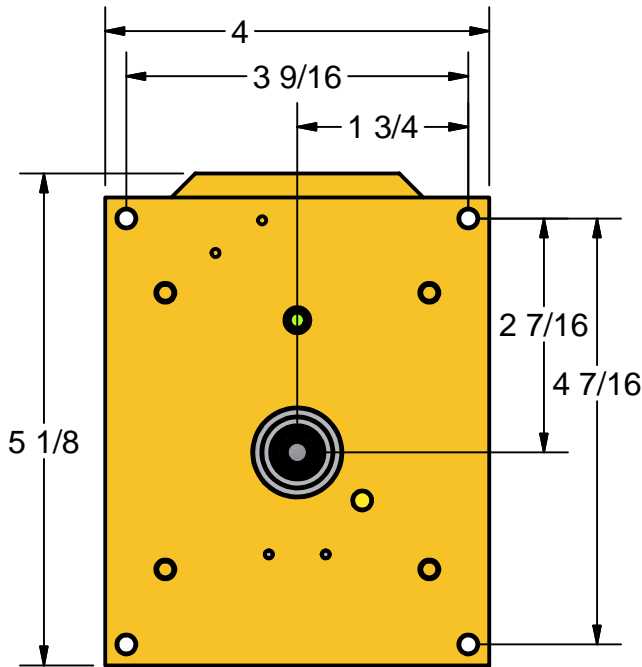
DS-512

B28MI STYLE
THERMOMETER

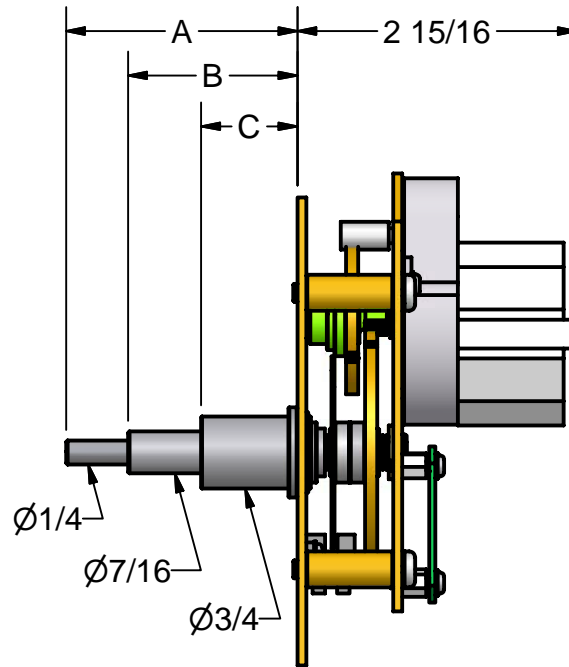
45 West Street, Medfield, MA 02052

p: 508.359.4396 f: 508.359.4482

www.electrictime.com



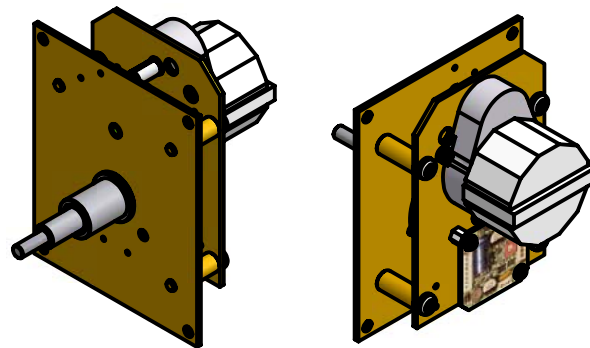
FRONT VIEW



SIDE VIEW

MECHANICAL SPECIFICATIONS

- 1) UP TO Ø48" DIAL WITH UNPROTECTED HANDS
- 2) UP TO Ø60" DIAL WITH PROTECTED HANDS
- 3) CONSULT ELECTRIC TIME CO. FOR RECOMMENDED MOVEMENT AND HAND MOUNTING PROCEDURES



FRONT AND REAR ISOMETRIC VIEWS

ELECTRICAL SPECIFICATIONS

- 1) 24VDC 200mA STEPPER MOTOR

Note: Specifications subject to change without notice

PART NUMBER DESIGNATION

MOVT-B28MI-GX-THRM

| GX | A | B | C |
|----|--------|--------|--------|
| G1 | 2-3/8" | 1-3/4" | 1" |
| G7 | 3-1/4" | 2-3/4" | 2-1/4" |
| G8 | 6" | 5-1/2" | 2-1/4" |