

**SHBS & SHFS
MOVEMENT
ASSEMBLIES**

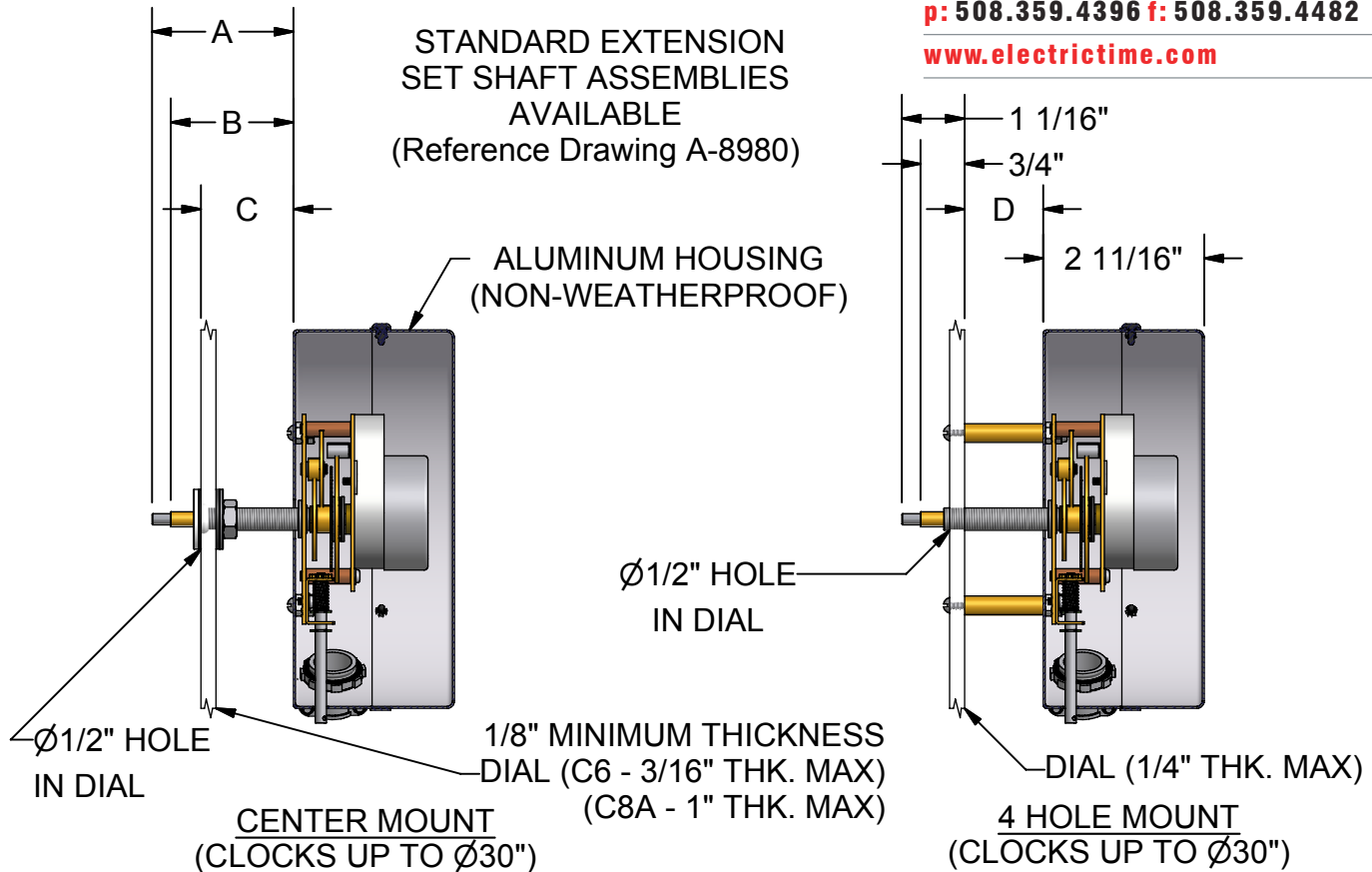
BOTTOM SET MOVEMENT
(SHOWN)

DS-509A

45 West Street, Medfield, MA 02052

p: 508.359.4396 f: 508.359.4482

www.electrictime.com



CENTER MOUNT				
FRONT SET	BOTTOM SET	A	B	C
MA-HBS-C6	MA-HFS-C6	1-3/4"	1-1/4"	9/16"
MA-HBS-C8A	MA-HFS-C8A	2-3/8"	2-1/16"	1-9/16"

4 HOLE MOUNT		
FRONT SET	BOTTOM SET	D
MA-HFS-C6	MA-HBS-C6	1/2"
MA-HFS-C8A	MA-HBS-C8A	1-5/16"

SPECIFICATIONS

- 1) FOR INDOOR & OUTDOOR USE
- 2) MOV'T HOUSING NON- WEATHERPROOF

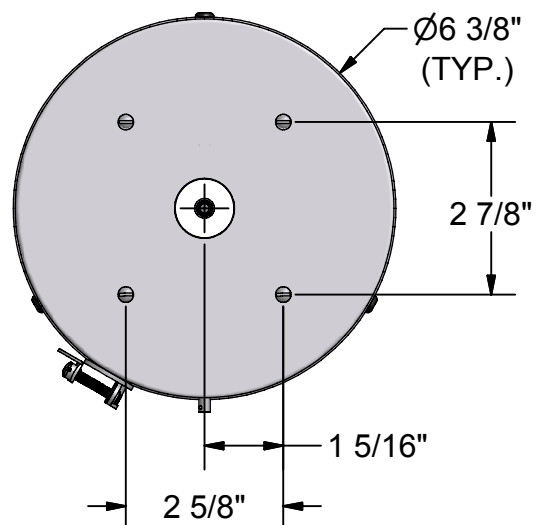
SHXX-XX-XX-XX

FRONT SET - **FS**
BOTTOM SET - **BS**

HAND STYLE

CLOCK SIZE

MOUNTING
STYLE



NOTE - SPECIFICATIONS SUBJECT TO CHANGE WITH OUT NOTICE.