

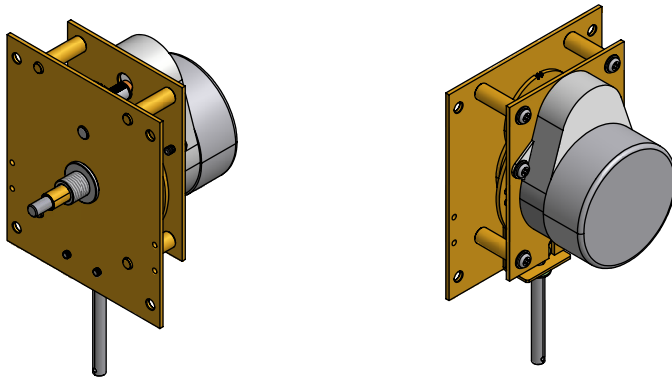
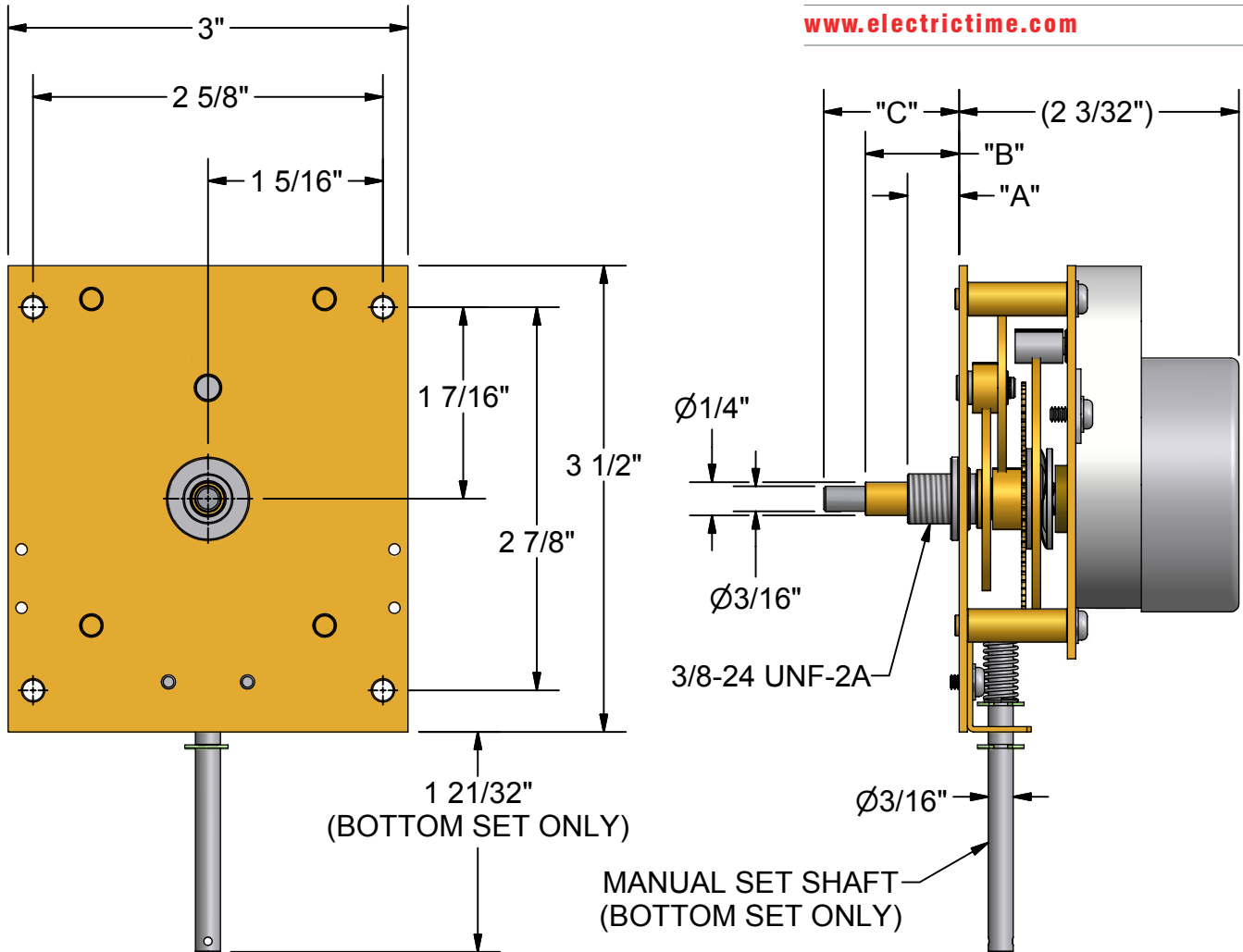
DS-508

**"H TYPE" FRONT  
& BOTTOM SET  
MOVEMENT**

45 West Street, Medfield, MA 02052

p: 508.359.4396 f: 508.359.4482

[www.electrictime.com](http://www.electrictime.com)



FRONT ISOMETRIC VIEW

REAR ISOMETRIC VIEW

**MECHANICAL SPECIFICATIONS**

- 1) UP TO Ø30" DIAL WITH UNPROTECTED HANDS
- 2) CONSULT ELECTRIC TIME CO. FOR RECOMMENDED MOVEMENT & HAND MOUNTING PROCEDURES
- 3) APPROXIMATE WEIGHT = 2 LBS.

**ELECTRICAL SPECIFICATIONS**

- 1) 115VAC - 60 Hz - 25 mA - 1.8W
- 2) \*220VAC - 50 Hz - 11 mA - 2.4W  
*\*OPTIONAL*

"H" TYPE FRONT & BOTTOM SET MOVEMENTS				
FRONT SET	BOTTOM SET	A	B	C
MOVT-HFS-C4	MOVT-HBS-C4	3/8"	1 1/16"	1-1/32"
MOVT-HFS-C6	MOVT-HBS-C6	27/32"	1-13/32"	1-7/8"
MOVT-HFS-C8A	MOVT-HBS-C8A	1-7/8"	2-3/16"	2-1/2"

NOTE: SPECIFICATIONS SUBJECT TO CHANGE WITHOUT NOTICE.