



DS-506 (Rev. A)

97 West Street, Medfield, MA 02052

p: 508.359.4396 f: 508.359.4482

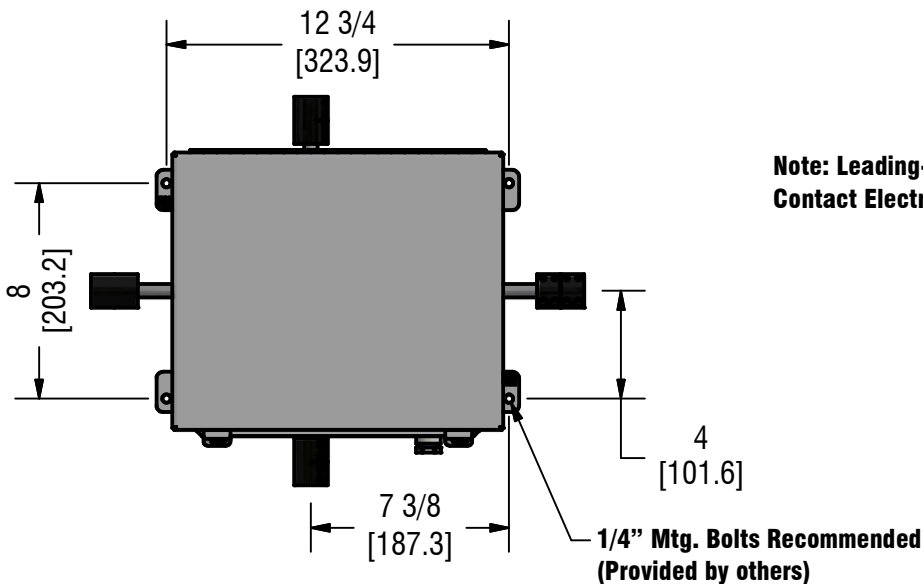
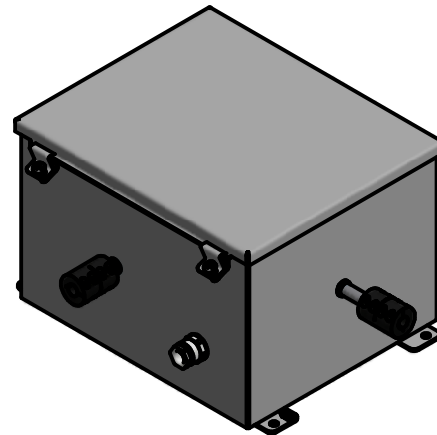
www.electrictime.com

Description:

The XMI is a 4-Way Clock Movement designed to drive up to (4) clocks from one central location. This movement is a robust, reliable, maintenance-free mechanism that can be used to replace existing tower clock movements or to provide a unique design alternative for new installations.

Specifications:

- For use with clocks up to 72"
- Weatherproof powder coated steel housing
- Clamp Couplings provided on each output shaft (1/2")
- Minute Impulse Operation (Type 99B-MI Clock Controller required)
- 24VAC, 50/60 Hz, 300mA



Note: Leading-off Rods & Dial Motion Works available. Contact Electric Time Company for specifications.

