

SB28MI MOVEMENT ASSEMBLIES

DS-482A

G7 CENTER MOUNT

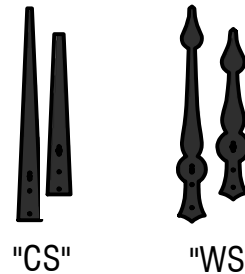
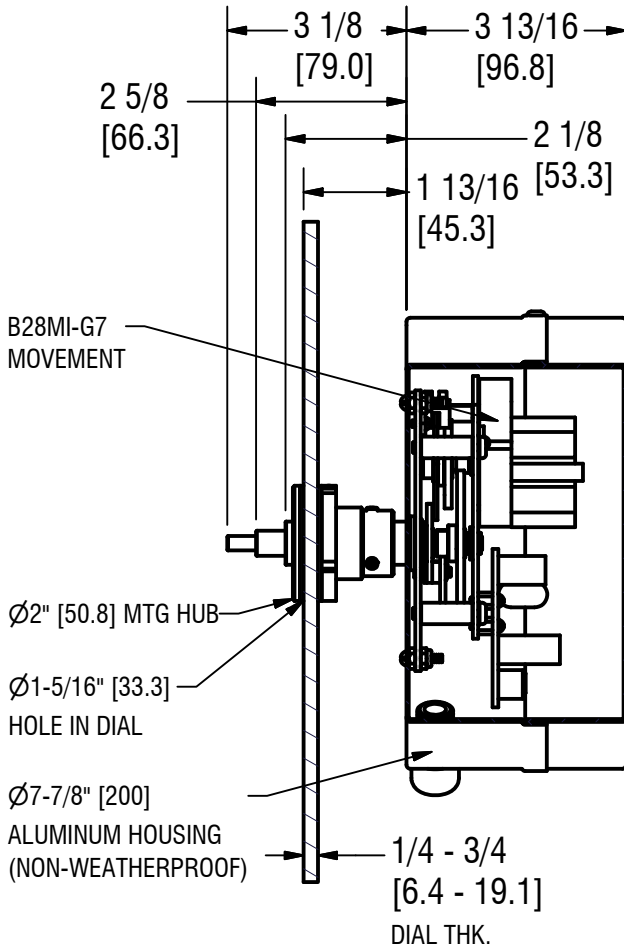
97 West Street, Medfield, MA 02052

p: 508.359.4396 f: 508.359.4482

www.electrictime.com

QUICK-SHIP

SB28MI ASSEMBLIES
(FOR Ø30", Ø36", Ø42", Ø48" CLOCKS)



STANDARD CLOCK HANDS
(MATTE BLACK POLYURETHANE FINISH)

PART NUMBER

SB28MI-XX-XX-CMT-G7

HAND STYLE ("CS" OR "WS")

CLOCK DIAMETER
30", 36", 42", 48"

EXAMPLE: SB28MI-WS-48-CMT-G7
(CLOCK MOVEMENT AND WS HANDS FOR Ø48" CLOCK)

SPECIFICATIONS:

- INDOOR AND OUTDOOR USE
- MOVEMENT HOUSING NON-WEATHERPROOF
- UP TO Ø48" [1200] DIAL
- 99B-MI CLOCK CONTROLLER REQUIRED FOR MINUTE IMPULSE OPERATION
- SEE DS-5 FOR MOVEMENT DETAILS
- OPTIONAL 115VAC MANUAL SET VERSIONS AVAILABLE
- OTHER HAND STYLES REQUIRE ADDITIONAL LEAD-TIME
- ADDITIONAL CLEARANCE BETWEEN DIAL AND MOVEMENT SEE DS-495 (G8 MOVEMENT)

Note: Specifications subject to change without notice

ALL DIMENSIONS: INCHES [MILLIMETERS]