

SURFACE MOUNTED CLOCKS  
STYLE & 6600 (ROUND)  
& 3600 (SQUARE)  
15" TO 48" SIZES

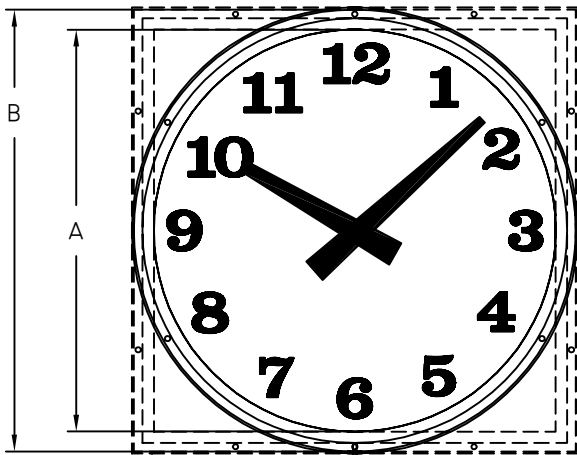


DS-455A

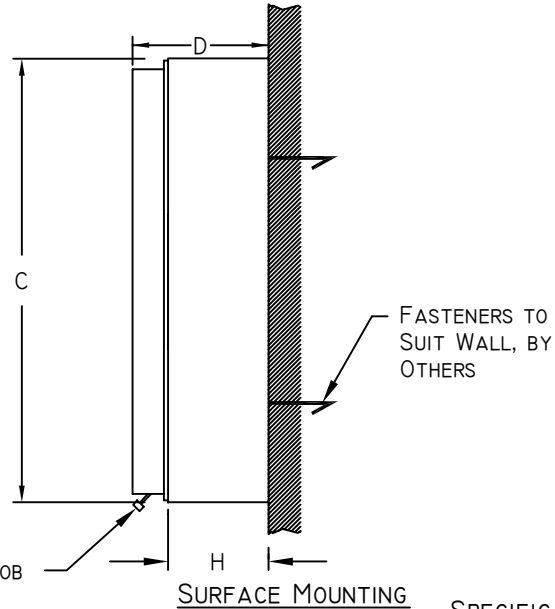
Medfield, MA 02052

p: 508.359.4396 f: 508.359.4482

www.electrictime.com



OUTLINE OF 3600 SERIES CLOCK  
 FRONT ELEVATION



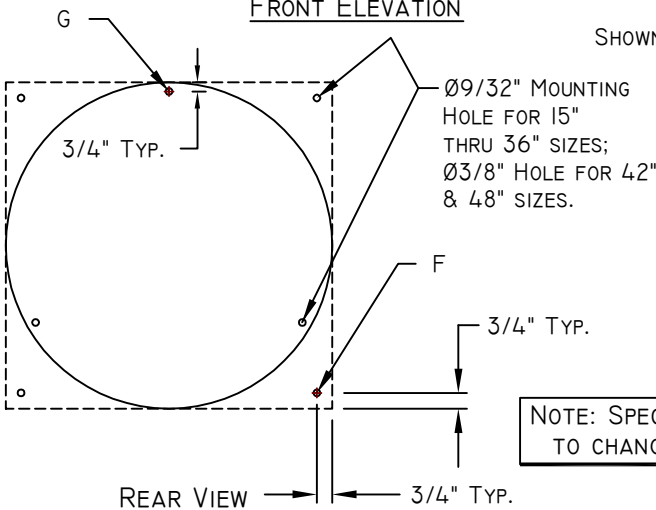
SURFACE MOUNTING

SPECIFICATIONS:

SHOWN W/ FACE "T" & "CS" HANDS (ANY OF OUR STYLES ARE AVAILABLE)

OPTIONS:

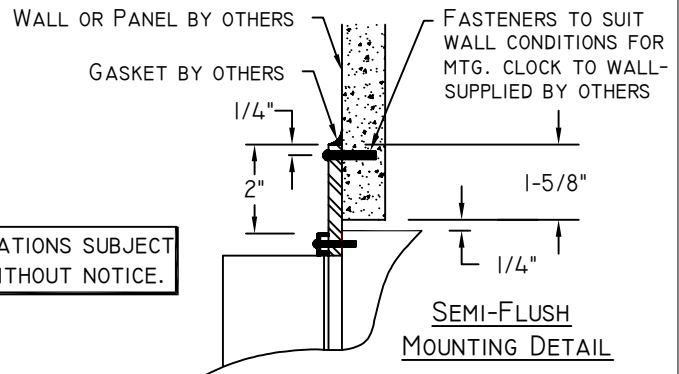
STYLE 99B AUTOMATIC RESET CONTROL (REFER TO MANUAL M274)  
 CLOCK CASE CAN BE PROVIDED IN DIFFERENT FINISHES.



REAR VIEW

SHOWING MOUNTING LOCATIONS

NOTE: SPECIFICATIONS SUBJECT TO CHANGE WITHOUT NOTICE.



SEMI-FLUSH MOUNTING DETAIL

3600/6600 SERIES - SURFACE MOUNTING CLOCKS

STYLE	SIZE	A"	B"	C"	D"	F" (3600 SERIES)	G" (6600 SERIES)	H"	NET WEIGHT (LBS.)	
									3600	6600
3615/6615	15	15	17-3/8	17-5/8	9-11/16	4	3	7-1/2	16	13
3624/6624	24	24	26-3/8	26-5/8	9-11/16	4	3	7-1/2	32	25
3630/6630	30	30	32-3/8	32-5/8	8-7/16	4	3	6	47	36
3636/6636	36	36	38-3/8	38-5/8	9-5/16	4	3	6	71	54
3642/6642	42	41	43-7/8	44-1/8	9-5/16	4	4	6	94	87
3648/6648	48	47	49-7/8	50-1/8	9-5/16	4	4	6	130	119

Copyright 2006 all rights reserved

Designing Time®