

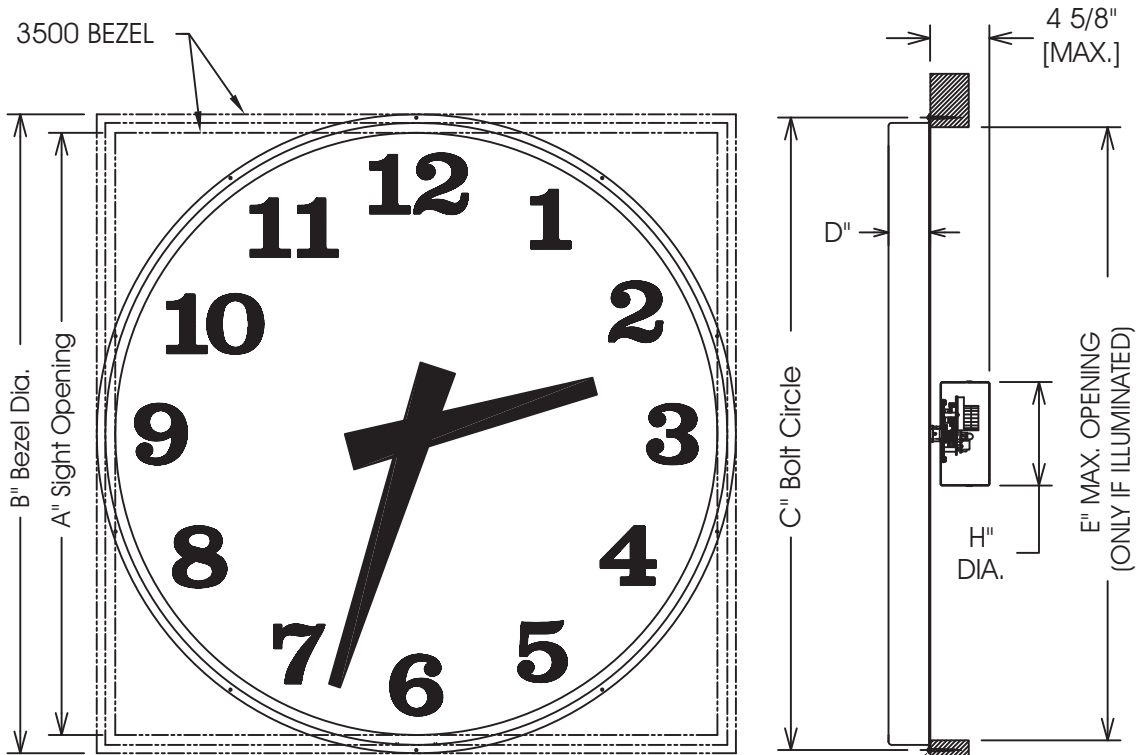
DS-454D

**Style 6500 (Round) & 3500 (Square)  
Semi-Flush Clocks / Size 15" - 48"**

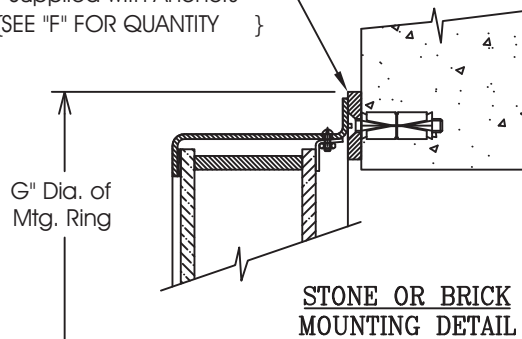
97 West Street, Medfield, MA 02052

p: 508.359.4396 f: 508.359.4482

www.electrictime.com



Optional Masonry Ring  
Supplied with Anchors  
{SEE "F" FOR QUANTITY }



Holes Pre-Drilled in Bezel  
(Ø.169") Sizes 15 to 36  
(Ø.196") Sizes 42 to 48  
[HARDWARE BY OTHERS]

**STANDARD SPECIFICATIONS:**

- ALUMINUM BEZEL
- TEMPERED GLASS CRYSTAL
- TRANSLUCENT WHITE ACRYLIC DIAL
- ACRYLIC POLYURETHANE FINISH
- MATTE-BLACK DIAL MARKINGS
- MOVEMENT ASSEMBLY w/ HOUSING  
(OUTDOOR - NON WEATHERPROOF)

**NOTE: SPECIFICATIONS SUBJECT TO CHANGE WITHOUT NOTICE.**

| STYLE # |      | A"  | B"      | C"      | D"     | E"      | F"          | F"          | G"      | H"     |
|---------|------|-----|---------|---------|--------|---------|-------------|-------------|---------|--------|
| 3500    | 6500 |     |         |         |        |         | (6500 ONLY) | (3500 ONLY) |         |        |
| 3515    | 6515 | 15" | 17-3/8" | 17"     | 2-1/8" | 15-5/8" | 3           | 4           | 17-5/8" | 6-3/8" |
| 3524    | 6524 | 24" | 26-3/8" | 26"     | 2-1/8" | 24-5/8" | 4           | 4           | 26-5/8" | 6-3/8" |
| 3530    | 6530 | 30" | 32-3/8" | 32"     | 2-3/8" | 30-5/8" | 4           | 6           | 32-5/8" | 6-3/8" |
| 3536    | 6536 | 36" | 38-3/8" | 38"     | 3-1/4" | 36-5/8" | 6           | 6           | 38-5/8" | 8"     |
| 3542    | 6542 | 41" | 43-7/8" | 43-3/8" | 3-1/4" | 41-5/8" | 6           | 8           | 44-1/8" | 8"     |
| 3548    | 6548 | 47" | 49-7/8" | 49-3/8" | 3-1/4" | 47-5/8" | 6           | 8           | 50-1/8" | 8"     |