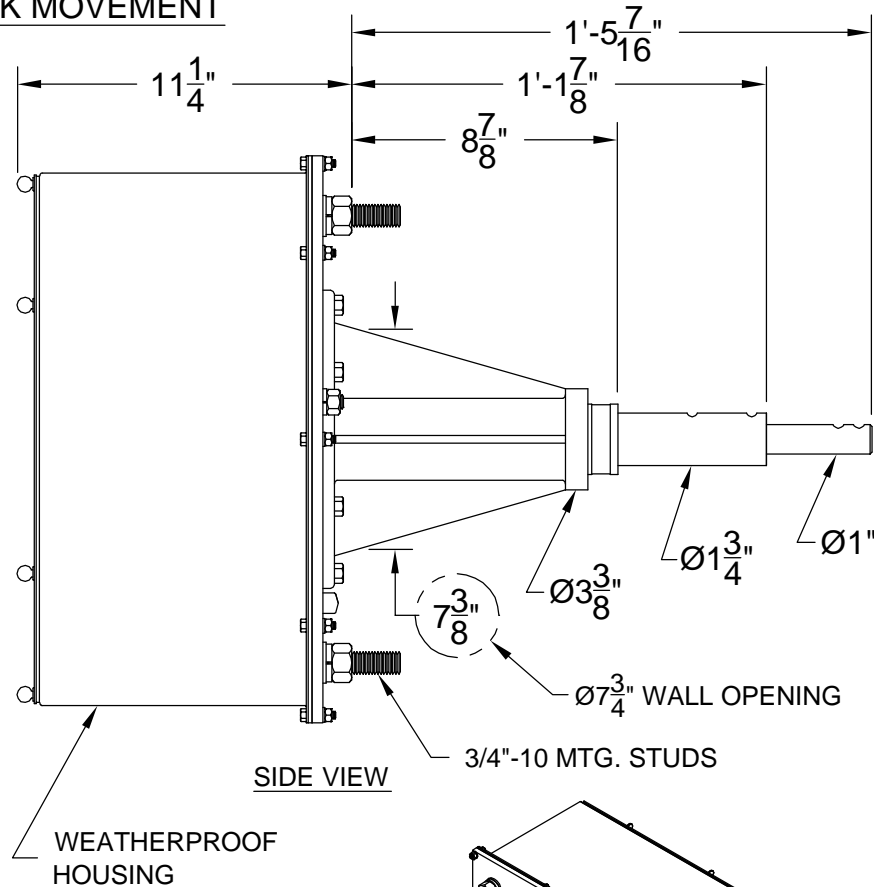
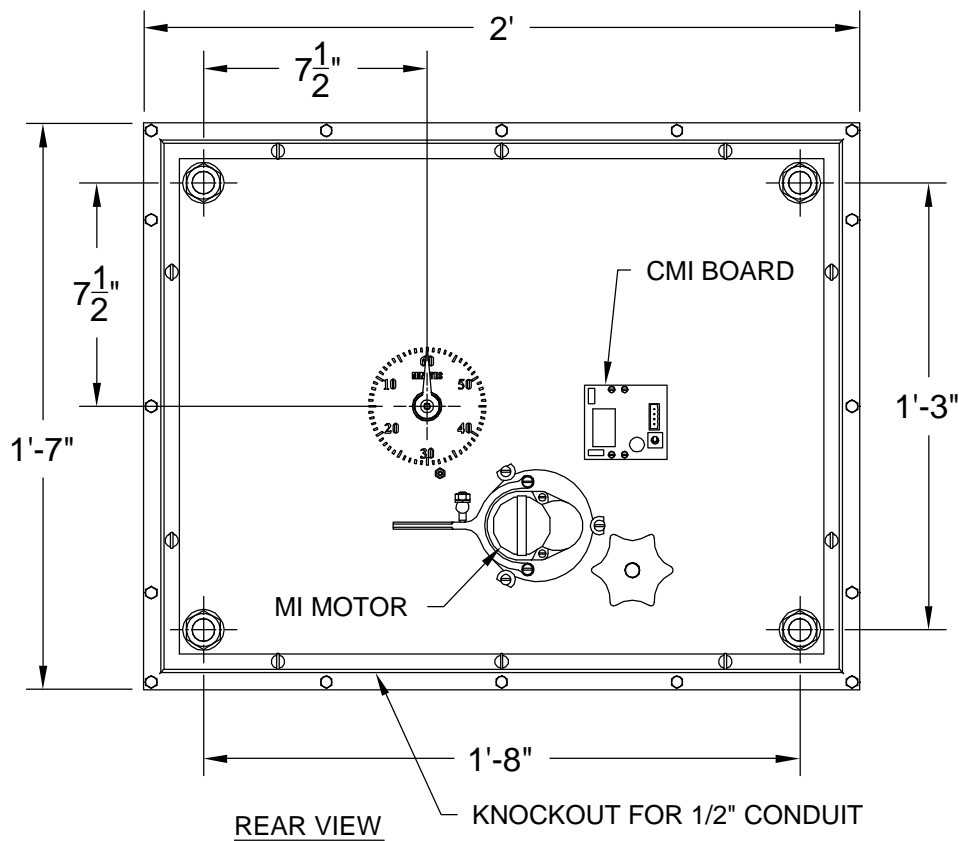


#5MI TOWER CLOCK MOVEMENT



SIDE VIEW

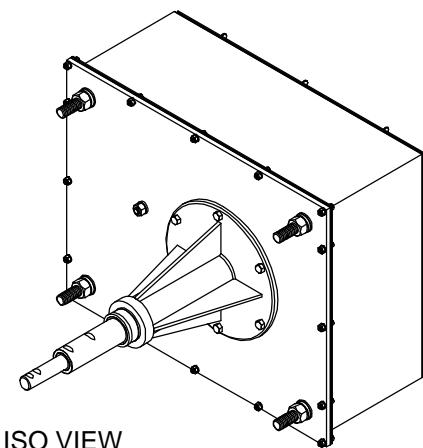
MECHANICAL SPECIFICATIONS

- 1) UP TO Ø20' DIAL*
- 2) CONSULT ELECTRIC TIME CO. FOR RECOMMENDED MOVEMENT & HAND MOUNTING PROCEDURES
- 3) MAINTENANCE FREE COMPOSITE BEARINGS
- 4) APPROXIMATE WEIGHT = 200 LBS

ELECTRICAL SPECIFICATIONS

- 1) 24 VAC - 50/60Hz - 300 mA - 7W (8 SEC/MIN RUN TIME)
- 2) ALTERNATING DRIVE SIGNAL MINUTE IMPULSE OPERATION (USING ELECTRIC TIME CO. 99A-MI CLOCK CONTROLLER)

*MAX DIAL SIZE RATINGS ARE REDUCED FOR EXTREMELY LARGE HANDS. CONTACT FACTORY FOR SPECIFICATIONS & DESIGN ASSISTANCE.



FRONT ISO VIEW

Note: Specifications subject to change without notice.