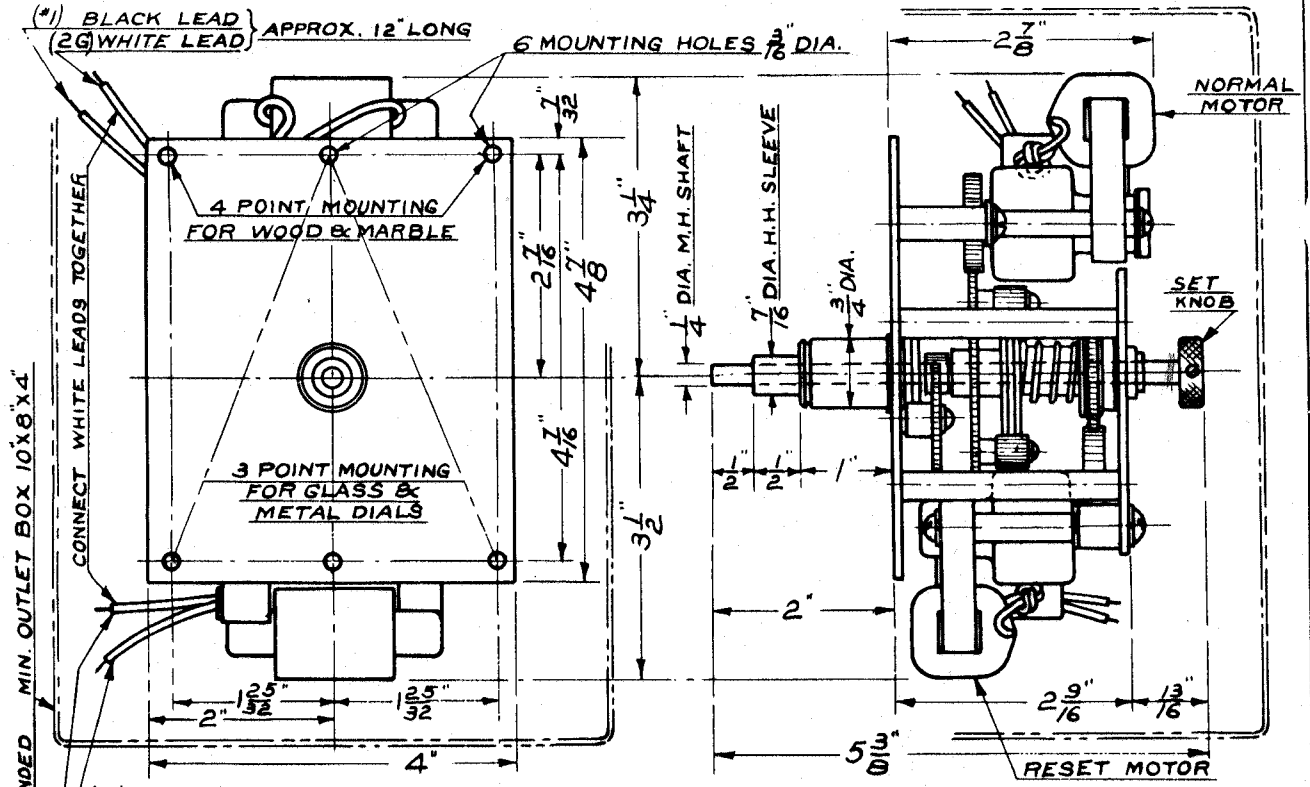
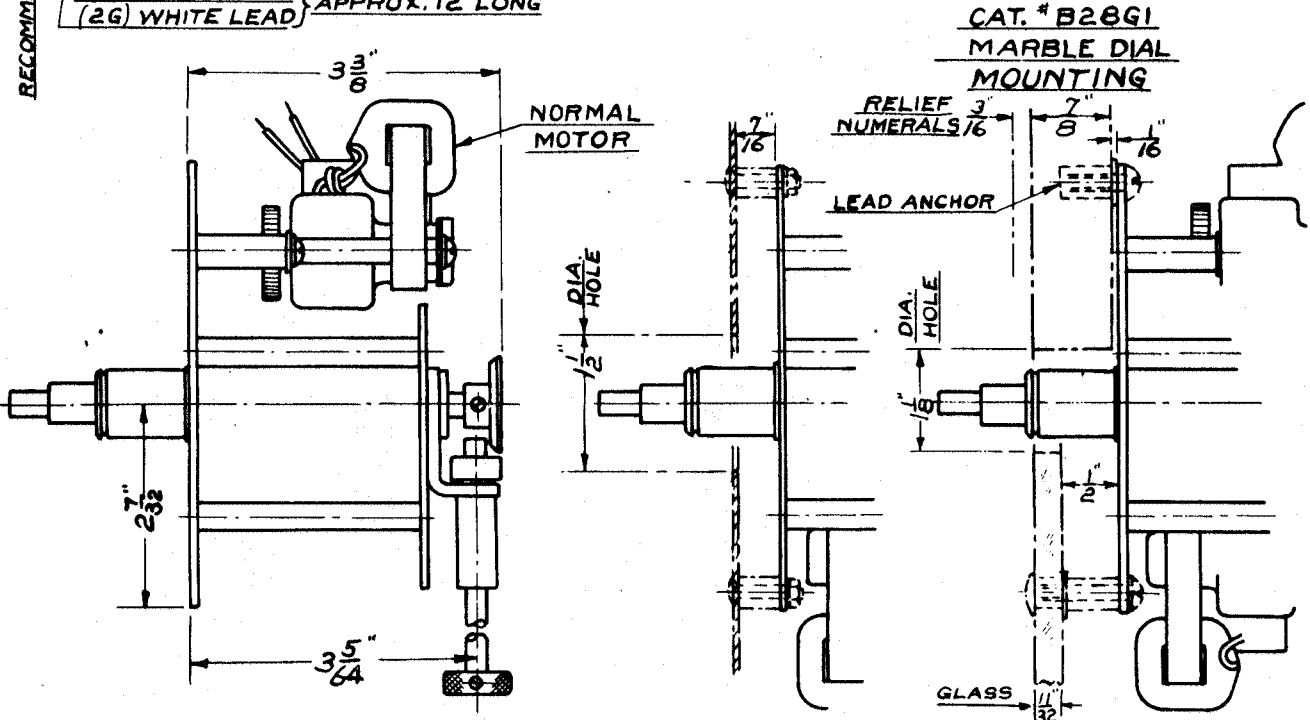


**B28 TYPE MOVEMENT SERIES A\***  
**PROTECTED DIAL 10-1 RESET RATIO.**



SPECIFICATIONS - SUBJECT TO CHANGE WITHOUT NOTICE

ISSUE



CAT. #B28G3 SINGLE MOTOR BACK SET CONSTRUCTION.

CAT. #B28G5 SINGLE MOTOR PENDANT SET CONSTRUCTION AS SHOWN

CAT. #B28G1 METAL DIAL MOUNTING

CAT. #B28G1 GLASS DIAL MOUNTING

APPROX. SHIPPING WEIGHT 4 LBS.

APPLICATIONS INDICATED APPLY TO STANDARD E.T.CO., INC. CONSTRUCTION USING STANDARD E.T.CO., INC. PARTS. \* APPLIES TO SERIES A AND FOLLOWING SERIES UNTIL SUPERSEDED