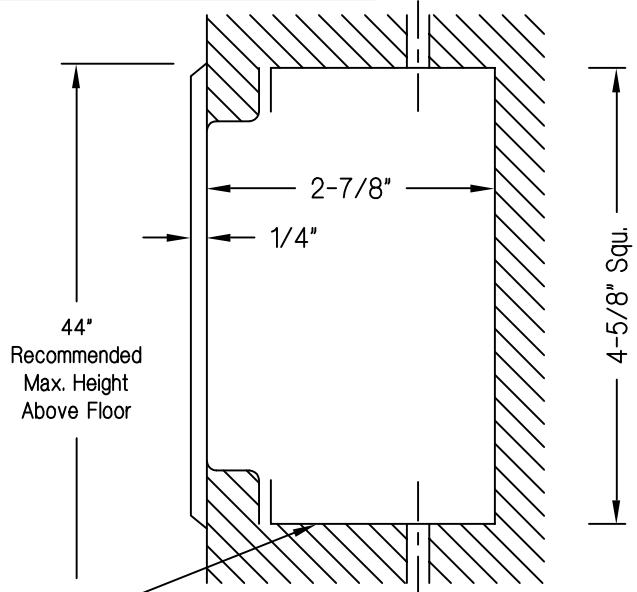
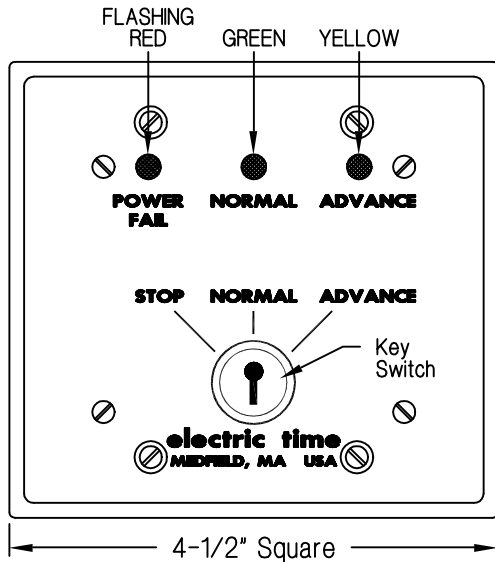
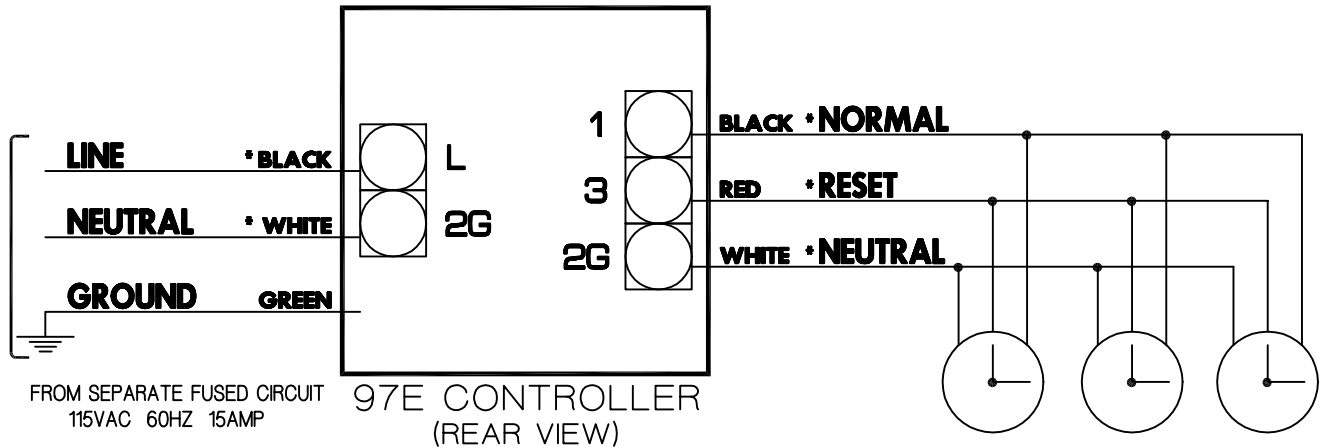


**#97E DUAL MOTORED RESET CONTROL
FOR REMOTE ELECTRIC SETTING - INDOOR USE**



Electric Time Co. WB4R Box - Knockouts for 1/2" & 3/4" Conduit on all Sides

SPECIFICATIONS SUBJECT TO CHANGE WITHOUT NOTICE



FROM SEPARATE FUSED CIRCUIT
115VAC 60HZ 15AMP

**97E CONTROLLER
(REAR VIEW)**

*** WIRES BY CONTRACTOR**

1. Make certain that all individual clocks are set to the same time before applying power or operating switch.
2. The correct switch position for normal operation is in the "NORMAL" position (12 O'Clock Position).
3. During normal operation, the "POWER FAIL" light is normally off.
4. If the power fails for more than 10 seconds, as soon as the power returns, the "POWER FAIL" light will begin to flash, and continue to flash, until the switch is turned to the "ADVANCE" position.
5. To reset clocks, rotate the switch clockwise to the "ADVANCE" position; this will turn off the "POWER FAIL" light. Turn on the "ADVANCE" light, and run all system clocks at 10 times the normal speed. When the pilot clock reaches the correct time, rotate the switch counter-clockwise back to the "NORMAL" position. All clocks are now corrected and operating at normal speed. After a very short power failure, which would not affect timekeeping (less than 10 seconds), the "POWER FAIL" light will not flash.
6. To stop all clocks, rotate the switch counter-clockwise to the "STOP" position.
7. Local Fuse is a 2 Amp 3 A G.