

4

3

2

B

B

A

A

A

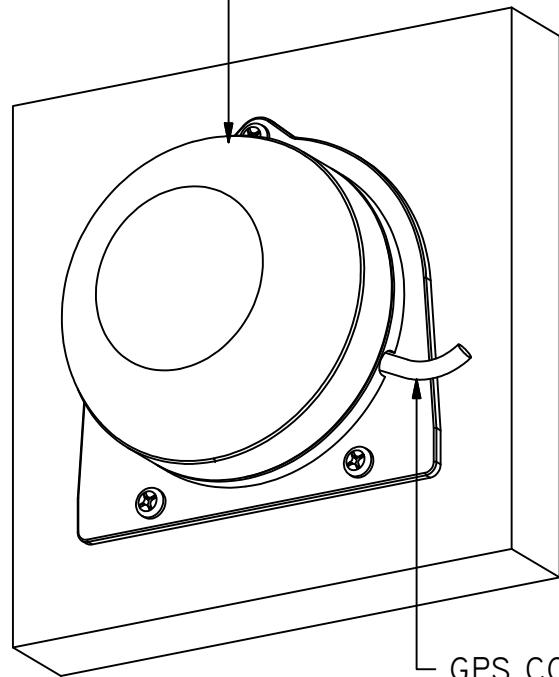
A

4

3

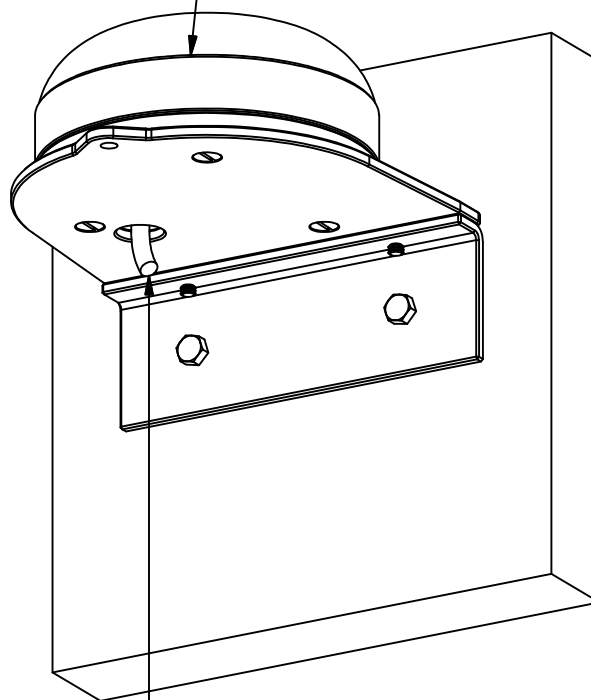
2

GPS RECEIVER



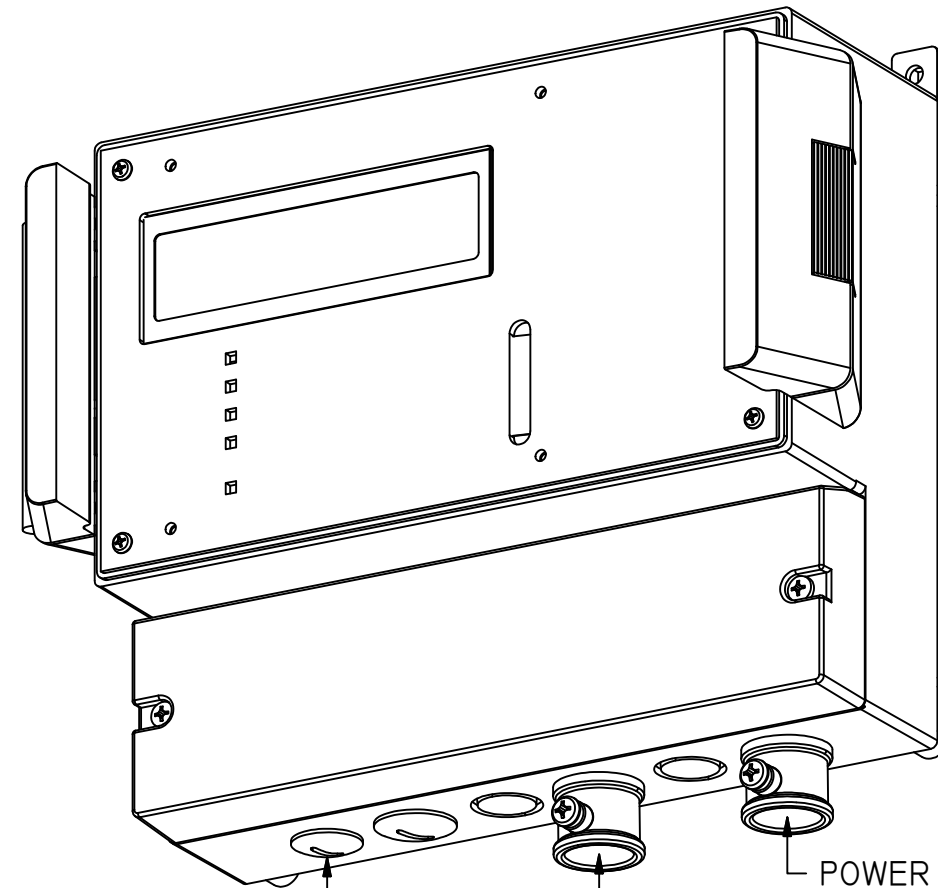
GPS CORD
(TO 99BMI)

GPS RECEIVER



GPS CORD
(TO 99BMI)

CONTROLLER-99BMI



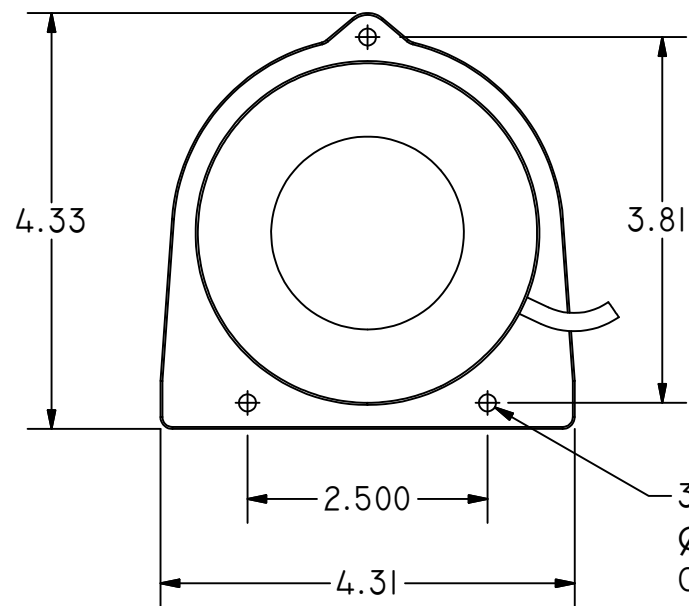
POWER
115V/60HZ

WIRES / CLOCK

CORD / GPS RECEIVER
REFER TO SHEET 2 OF 2

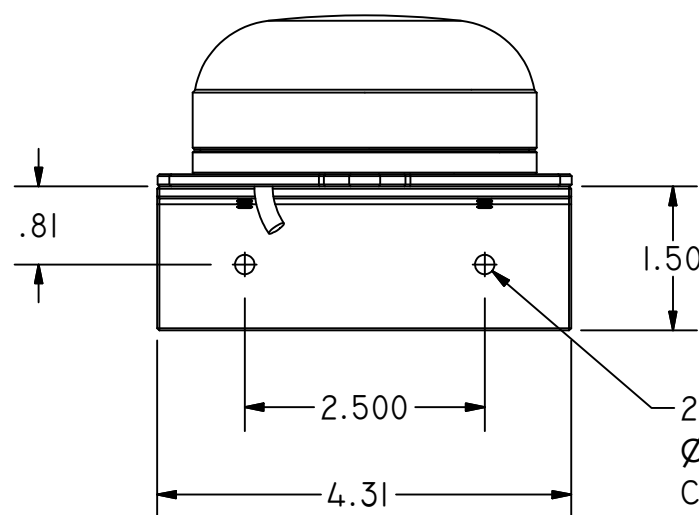
NOTE:

GPS RECEIVER MUST BE MOUNTED
WHERE IT IS EXPOSED TO ATMOSPHERE AND
UNOBSTRUCTED SKIES.



FLUSH MOUNT

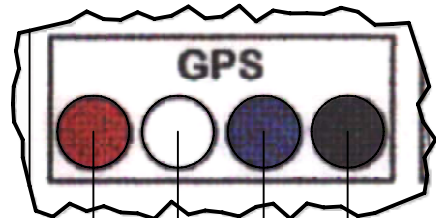
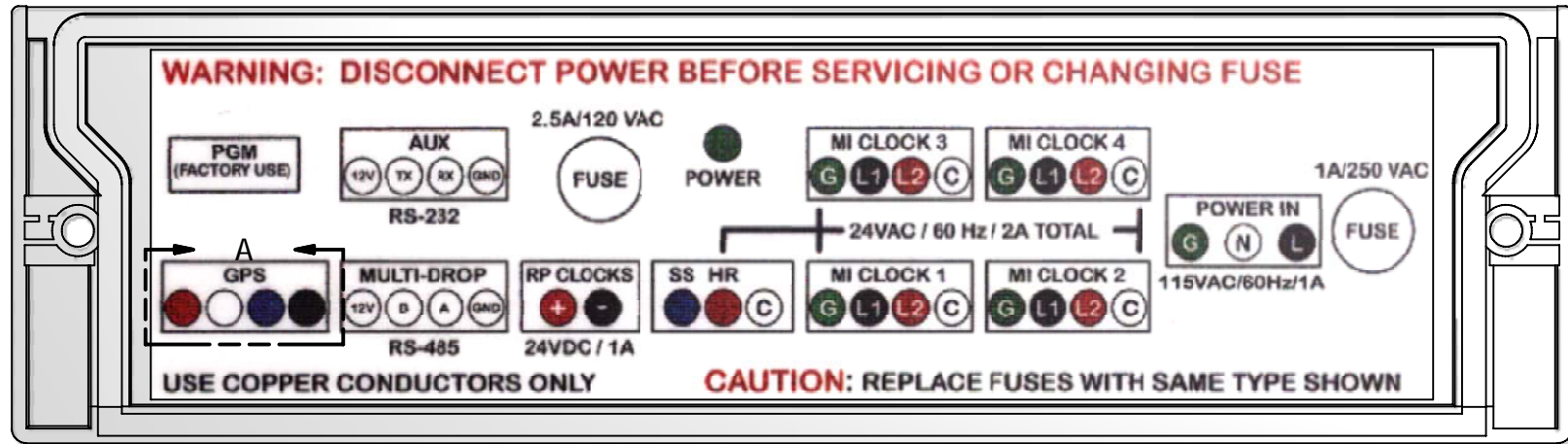
3x
Ø.177 THRU
CLEAR HOLE FOR
#8 SCREW



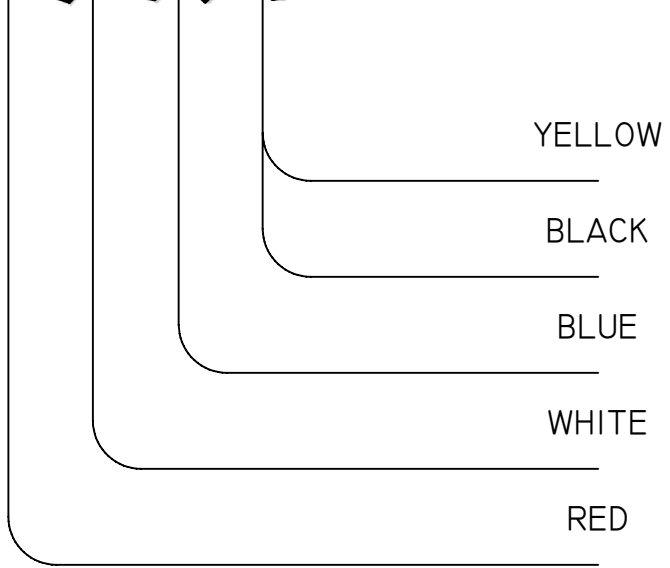
ANGLE MOUNT



2x
Ø.203 THRU
CLEAR HOLE FOR
#10 SCREW

DATE: 1/28/2006	electric time company, inc. medfield, ma		THIS DRAWING IN DESIGN AND DETAIL IS OUR PROPERTY AND MUST NOT BE USED EXCEPT IN CONNECTION WITH OUR WORK. ALL RIGHTS OF DESIGN OR INVENTION ARE RESERVED.
DRAWN BY: JCK	TITLE: GPS RECEIVER MOUNTING OPTIONS		
CHECKED BY:	SUBJECT: GPS RECEIVER KIT		
DWG SIZE: B	DWG NO: B-10668	SHEET: 1 OF: 2	
PATH: M:\INVENTOR\DRAWINGS\B-10668.idw			



DETAIL A
SCALE 2 : 1



DATE: 1/28/2006	 company, inc medfield, ma		THIS DRAWING IN DESIGN AND DETAIL IS OUR PROPERTY AND MUST NOT BE USED EXCEPT IN CONNECTION WITH OUR WORK. ALL RIGHTS OF DESIGN OR INVENTION ARE RESERVED.
DRAWN BY: JCK			
CHECKED BY:	SUBJECT: CTRL-GPS-17HVS-KIT		
	DWG SIZE: B	DWG NO: B-10668	
PATH: C:\INVENTOR-TEMP\INVENTOR\DRAWINGS\B-10668.idw			