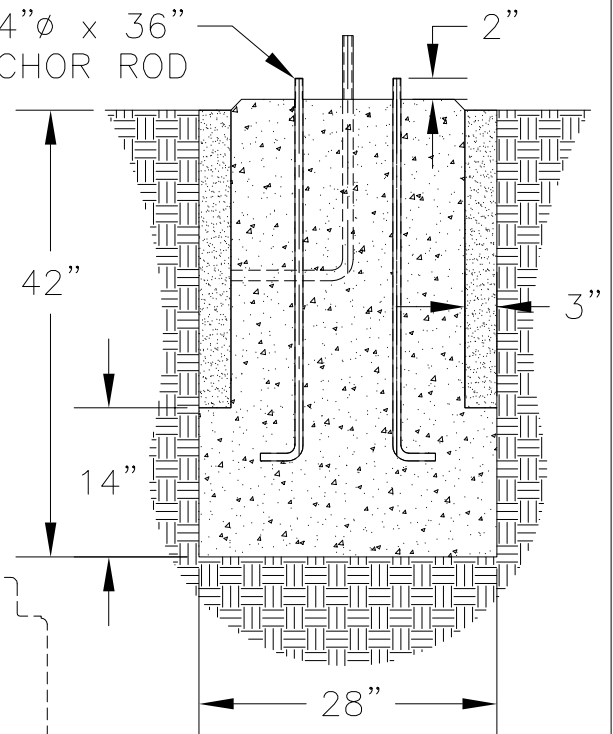
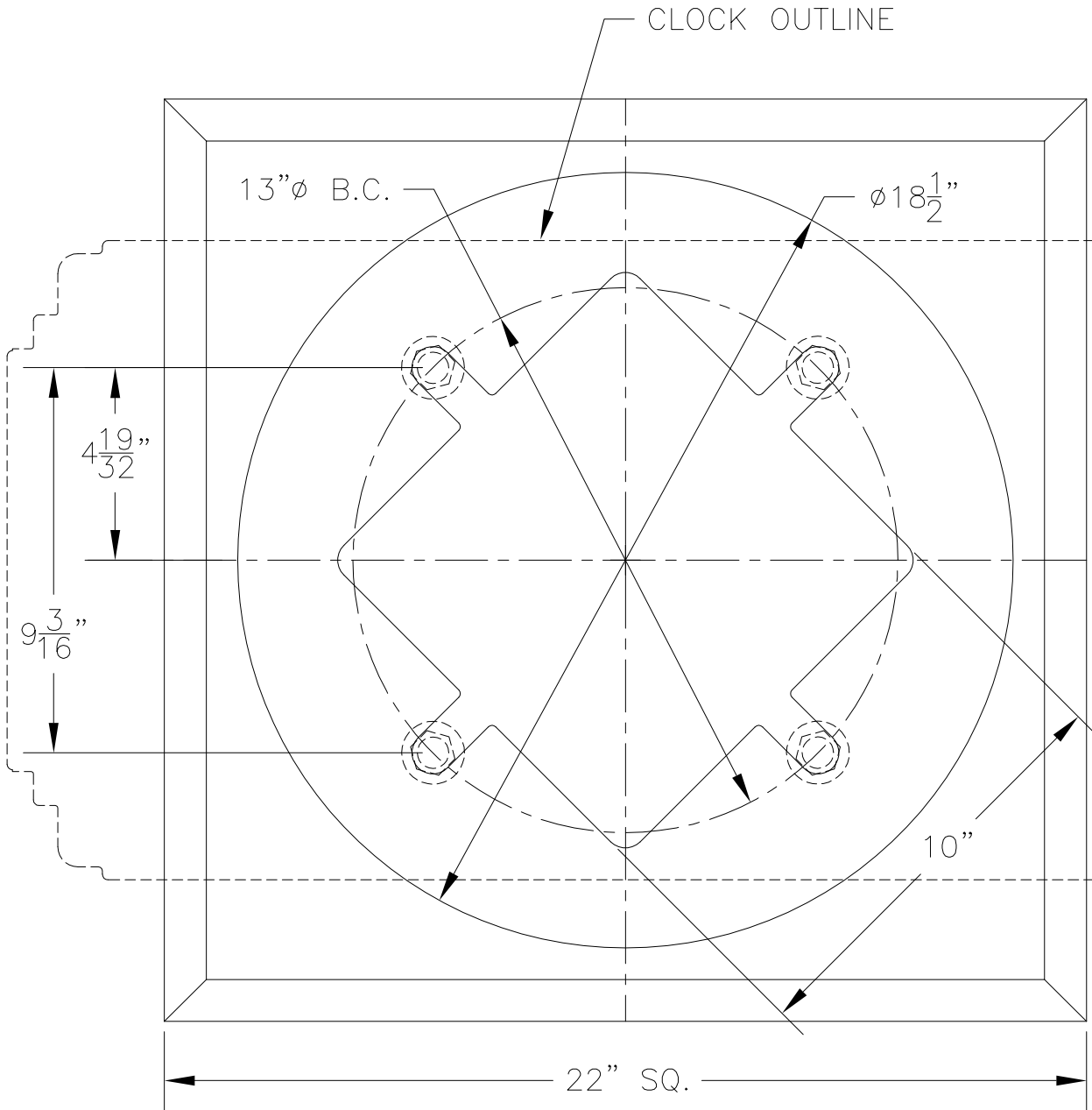


NOTE:
 CHECK ALL DIMENSIONS FOR
 FULL SCALE IF USED AS TEMPLATE.
 THIS DRAWING MAY HAVE BEEN
 REDUCED OR ENLARGED DURING
 PHOTOCOPYING

SCALE: 1-1/2" = 1' (4) 3/4"Ø x 36"
 STL. ANCHOR ROD



SCALE: 1/2" = 1"

VIEW LASER	PATH D:\ACAD10\A-5534.DWG			
	TITLE Foundation Detail The Provident Post Clock			
REVISIONS		DATE	DRAWN	APP'V
Rev.A 10-13-98		9-18-95	WOR	TDE
DRAWING A-5534		 <small>company, inc medfield, ma</small>		