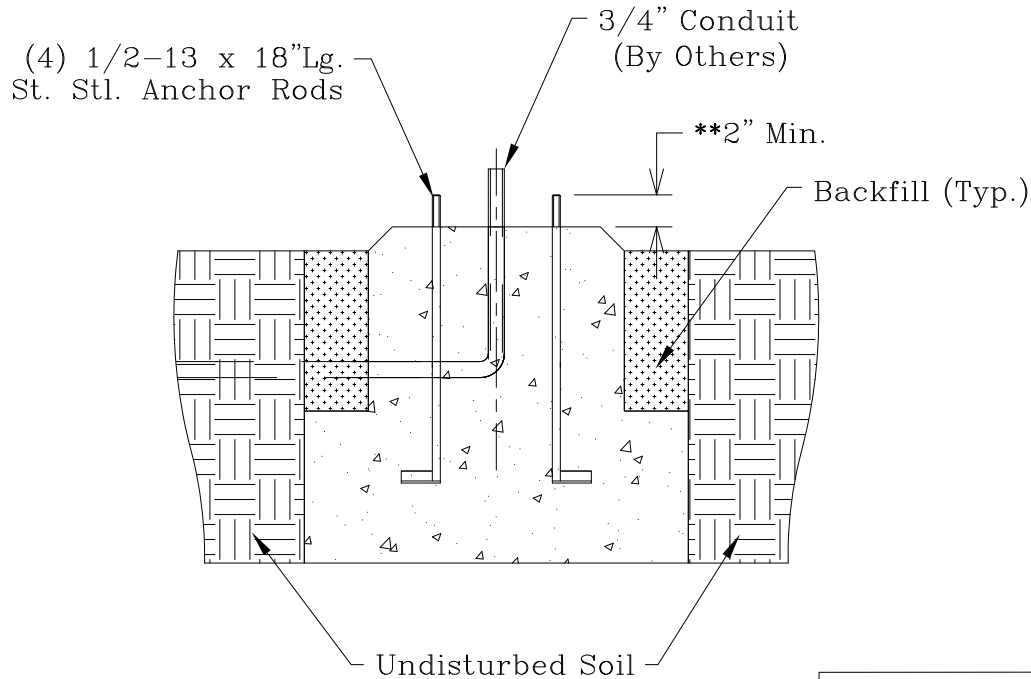


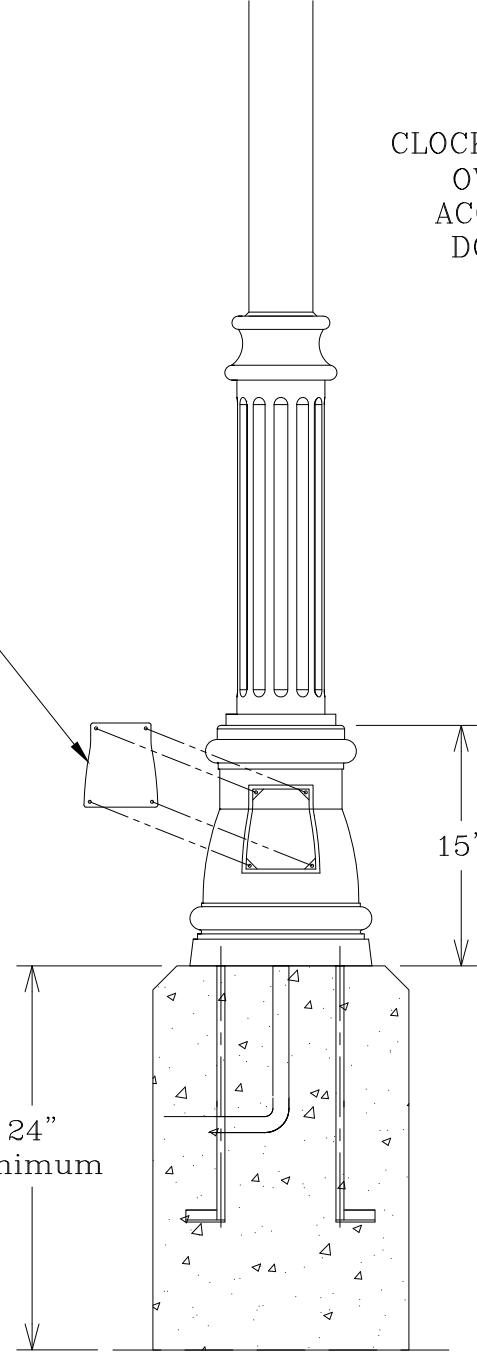
3.5"W x 5.5"H Door Opening for Anchor & Wiring Access



24" Minimum

**3" Min. if using a Leveling Plate

CLOCK FACE OVER ACCESS DOOR



VIEW LASER	PATH	M:\ACAD10\A-15161.DWG			
	TITLE	Post Clock - Foundation Detail Courtyard Post Clock (2017 Design)			
	REVISIONS	SCALE	DATE	DRAWN	APP'Y
	Rev. A	As Noted	03-07-19	DMC	TDE
	Rev. B		10-17-19		
	DRAWING	A-15161			

