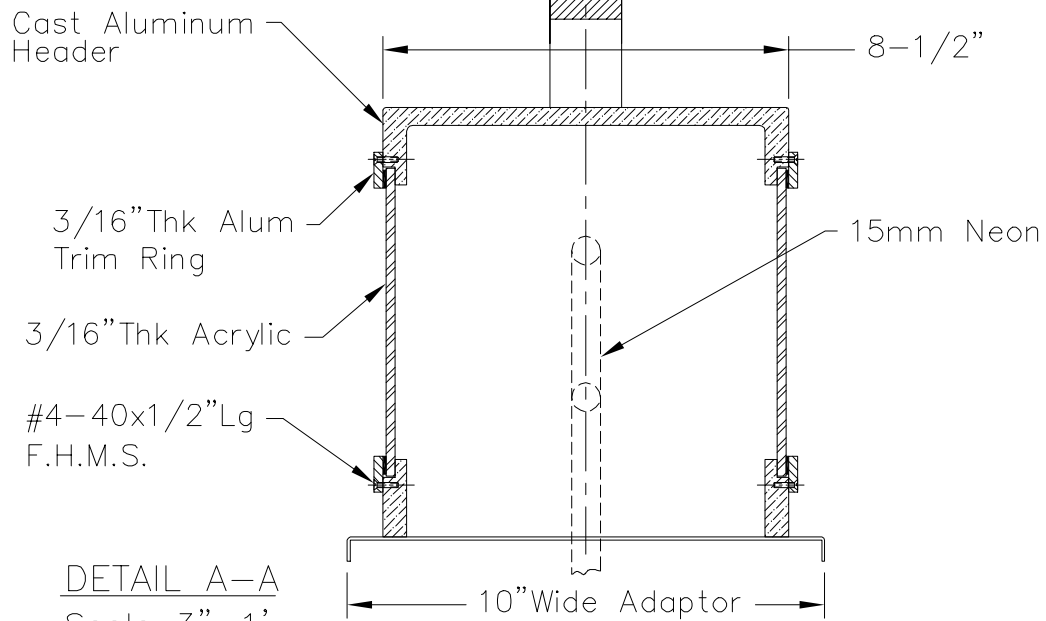
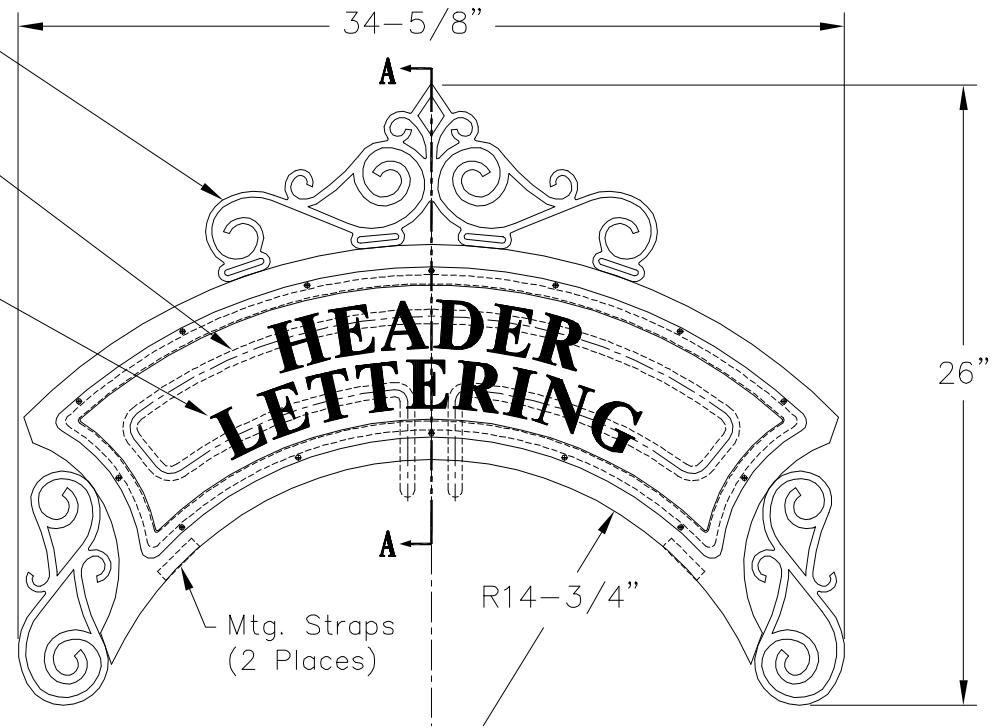


Face "A1"
Hands "WS-24"

Cast Aluminum
Ornaments

15mm Neon

2" High Lettering
Matte-Black Vinyl



DETAIL A-A
Scale 3"=1'

VIEW LASER	PATH	M:\ACAD10\A-6079.DWG			
	TITLE	Special Illuminated Header Sm. 2 Dial Howard Post Clock			
	SCALE	DATE	DRAWN	APP'V	
	As Noted	9-5-97	DMC	TDE	
	REVISIONS				
	DRAWING A-6079				

