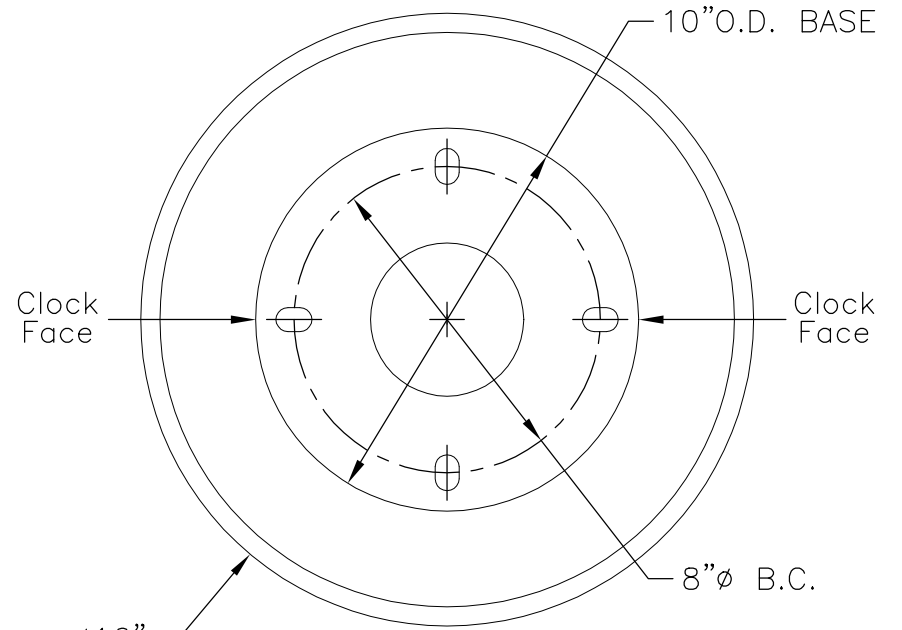


SIDE ELEVATION



Top Elevation

VIEW	PATH	D:\ES\ES-927.DWG		
	TITLE	Installation Detail Courtyard Post Clock		
REVISIONS	SCALE	DATE	DRAWN	APP'V
	AS NOTED	8-18-95	WOR	TDE
	Rev. A	8-28-95	DMC	
	Rev. B	4-19-96	DMC	
	DRAWING ES-927			

