



45 West Street, Medfield, MA 02052

p: 508.359.4396 f: 508.359.4482

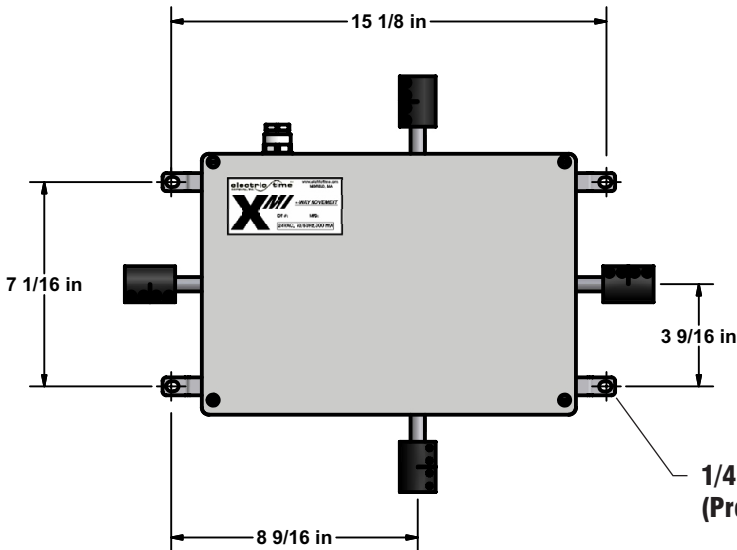
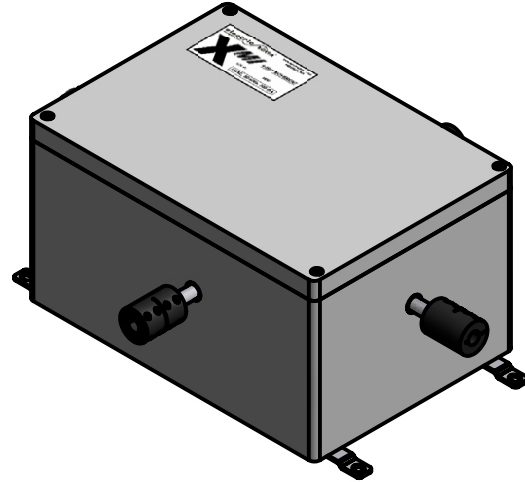
[www.electrictime.com](http://www.electrictime.com)

**Description:**

The XMI is a 4-Way Clock Movement designed to drive up to (4) clocks from one central location. This movement is a robust, reliable, maintenance-free mechanism that can be used to replace existing tower clock movements or to provide a unique design alternative for new installations.

**Specifications:**

- For use with clocks up to  $\phi 72''$
- Weatherproof cast aluminum housing
- Clamp Couplings provided on each output shaft ( $\phi 1/2''$ )
- Minute Impulse Operation (Type 99-MI Clock Controller required)
- 24VAC, 50/60 Hz, 300mA



Note: Leading-off Rods & Dial Motion Works available.  
Contact Electric Time Company for specifications.

1/4" Mtg. Bolts Recommended  
(Provided by others)

