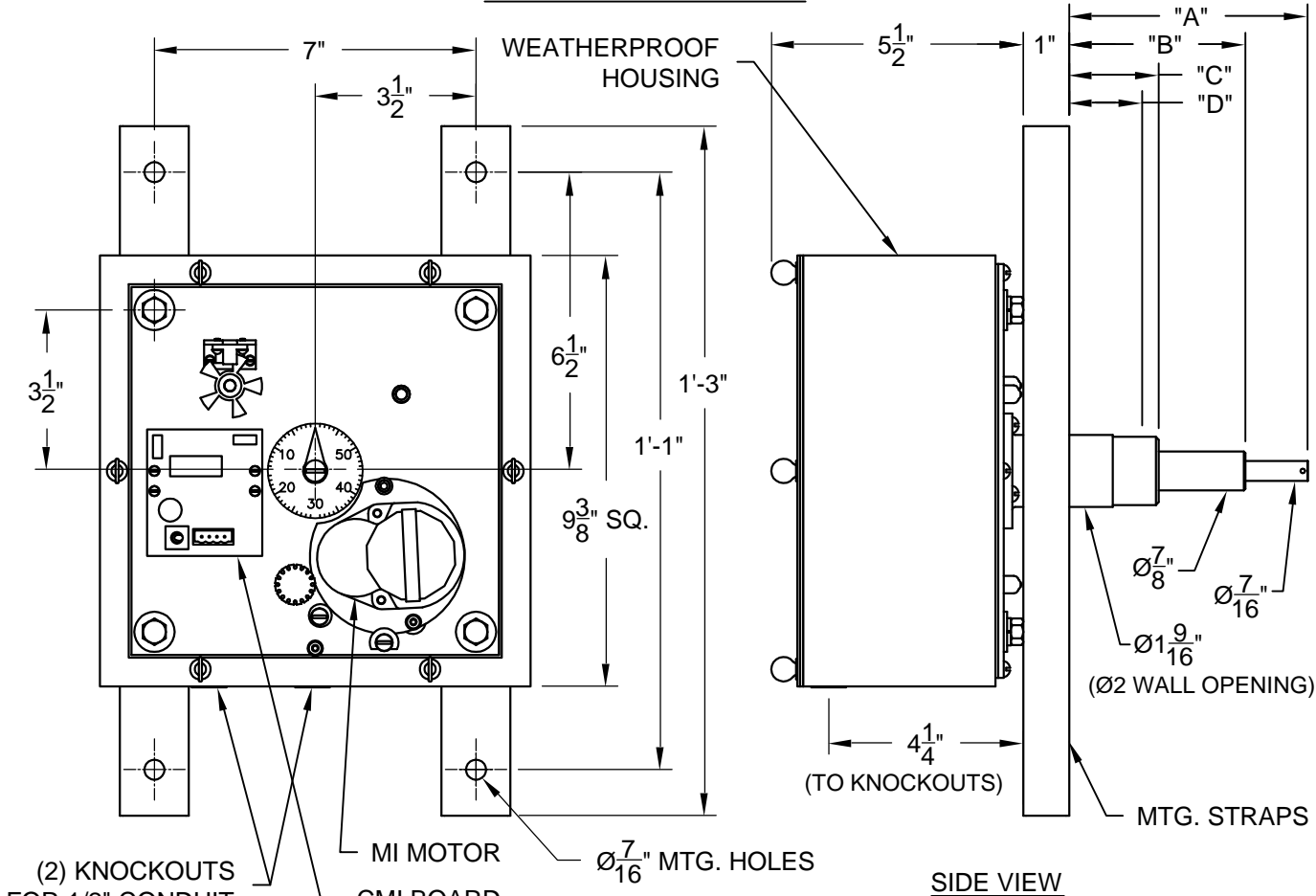


FOR INDOOR & OUTDOOR USE

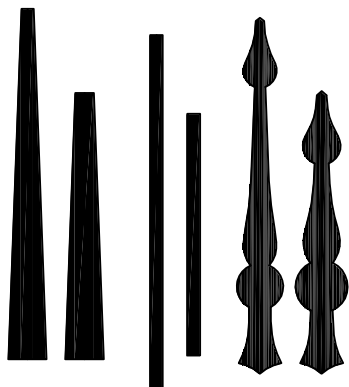
SC1-MI ASSEMBLIES



| | | | | | |
|---------|---------|----------|----------|--------|--------|
| C1G1-MI | 5-3/16" | 3-13/16" | 1-15/16" | 1-1/4" | 25 LBS |
| C1G3-MI | 8-5/8" | 7-1/4" | 5-3/8" | 5" | 35 LBS |
| C1G9-MI | 19-5/8" | 18-5/16" | 12-9/16" | 15" | 55 LBS |
| MOV'T | "A" | "B" | "C" | "D"*** | WEIGHT |

***MAX DIAL + WALL THICKNESS

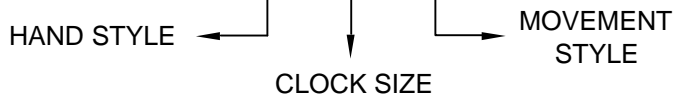
STANDARD CLOCK HANDS
(MATTE BLACK POLYURETHANE FINISH)



"CS" "LS" "WS"

PART NUMBER DESIGNATION

SC1MI-XX-XX-XX



EX. SC1MI-WS-84-G3 = (WS HANDS, Ø84" CLOCK, G3 STYLE)

Note: Specifications subject to change without notice.

- 1) FOR INDOOR & OUTDOOR USE
- 2) UNPROTECTED HANDS: UP TO Ø96 DIAL
- 3) PROTECTED HANDS: UP TO Ø144" DIAL
- 4) 99A-MI CLOCK CONTROLLER REQUIRED