

SB28MI MOVEMENT ASSEMBLIES

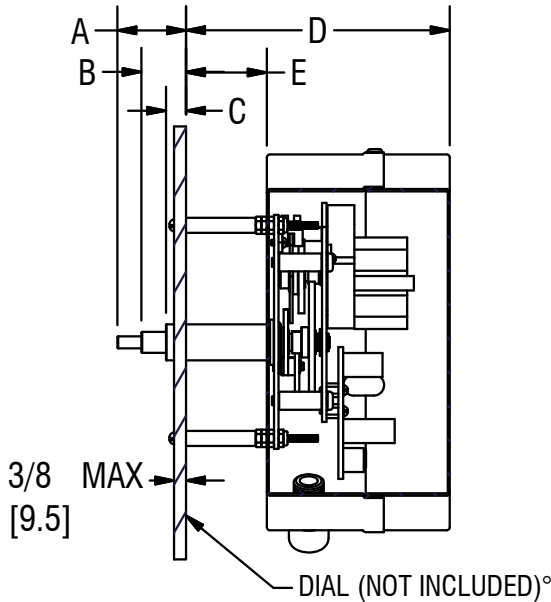
DS-8A

4-HOLE MOUNT

97 West Street, Medfield, MA 02052

p: 508.359.4396 f: 508.359.4482

www.electrictime.com

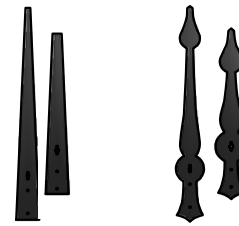
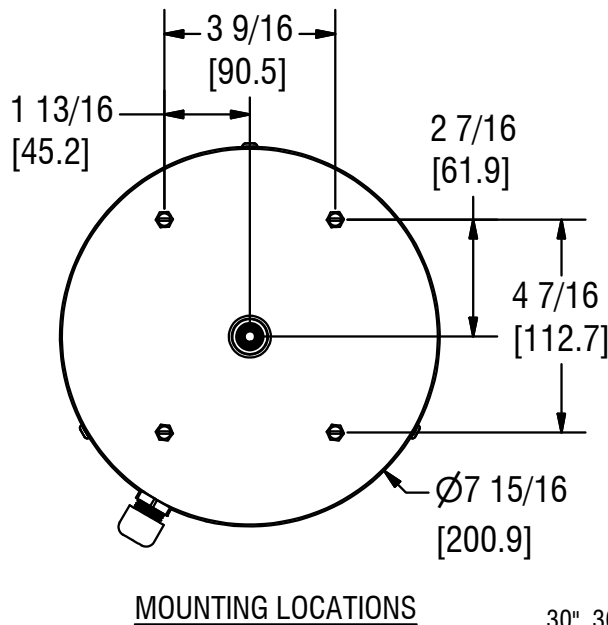


SPECIFICATIONS:

- INDOOR AND OUTDOOR USE
- MOVEMENT HOUSING NON-WEATHERPROOF
- UP TO Ø48" [1200] DIAL WITH UNPROTECTED HANDS
- UP TO Ø60" [1500] DIAL WITH PROTECTED HANDS
- 99B-MI CLOCK CONTROLER REQUIRED FOR MINUTE IMPULSE OPERATION
- SEE DS-5 FOR MOVEMENT DETAILS
- OPTIONAL 115VAC MANUAL SET VERSIONS AVAILABLE
- OTHER HAND STYLES REQUIRE ADDITIONAL LEAD-TIME

QUICK-SHIP

SB28MI ASSEMBLIES
(FOR Ø30", Ø36", Ø42", Ø48" CLOCKS)



"CS"

"WS"

STANDARD CLOCK HANDS
(MATTE BLACK POLYURETHANE FINISH)

PART NUMBER

SB28MI-XX-XX-4H-XX

HAND STYLE
("CS" OR "WS")

CLOCK DIAMETER
30", 36", 42", 48", *54", *60"

EXAMPLE: SB28MI-WS48-4H-G7

(G7 CLOCK MOVEMENT AND WS HANDS FOR Ø48" CLOCK)

MOVT	A	B	C	D	E
G1	2 1/4 [57.2]	1 5/8 [41.3]	3/8 [9.5]	4 5/16 [109.5]	1/2 [12.7]
G7	1 9/16 [39.7]	1 1/16 [27.0]	1/2 [12.7]	5 3/8 [136.5]	1 9/16 [39.7]
G8	4 5/16 [109.5]	3 13/16 [96.8]	1/2 [12.7]	5 3/8 [136.5]	1 9/16 [39.7]

Note: Specifications subject to change without notice

* QUICK-SHIP NOT AVAILABLE
ALL DIMENSIONS: INCHES [MILLIMETERS]