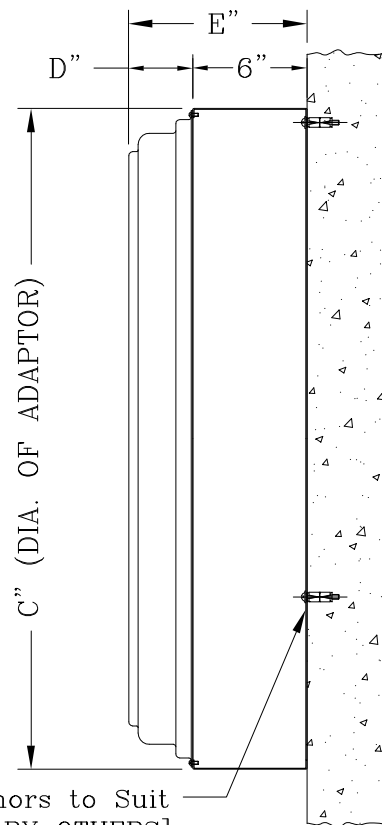
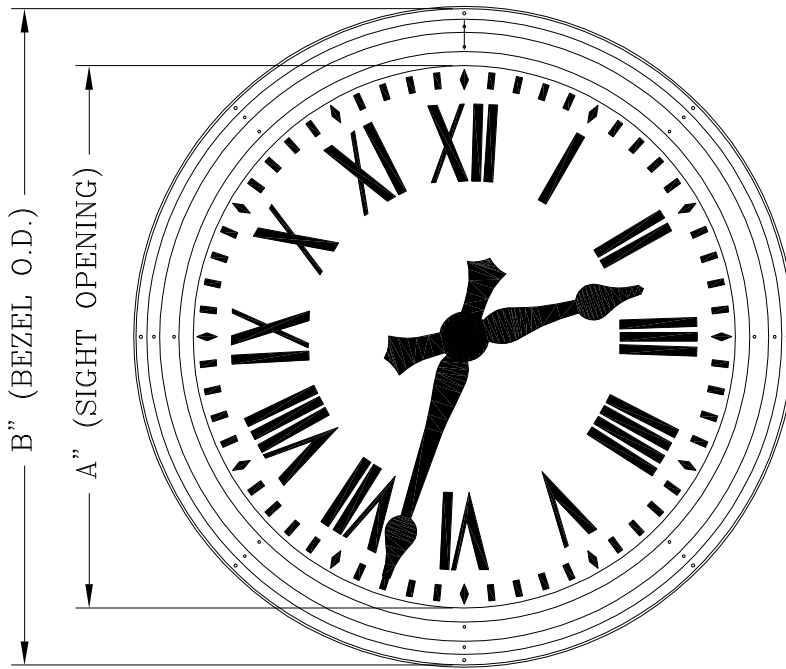
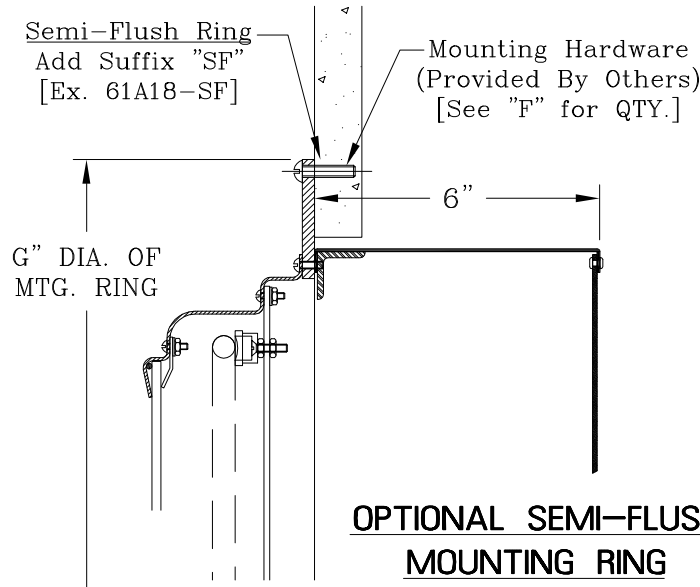


**OUTDOOR ROUND NEON ILLUMINATED CLOCKS  
SURFACE MOUNTING TYPE**



Mtg. Anchors to Suit  
[PROVIDED BY OTHERS]



**SPECIFICATIONS:**

Provide (n) Style 60A(xx) Surface Mounted Exterior Clock(s) as manufactured by Electric Time Company, Inc., 45 West Street, Medfield, MA, USA (508)-359-4396/800-531-2562 FAX 508/359-4482 - <http://www.electrictime.com> - [sales@electrictime.com](mailto:sales@electrictime.com) - <mailto:sales@electrictime.com>. Clock to be Style 60A00 with neon edge lighting. Dial markings and hands to be selected by architect. Hands and dial markings to have a matte black painted finish. Background to have an off-white painted finish. Provide 99A-MI Automatic Tower Clock Control.

Specify (n) = quantity, and (xx) = size

NOTE: SPECIFICATIONS SUBJECT TO CHANGE WITHOUT NOTICE

**60A00 SERIES — SURFACE MOUNTING CLOCKS**

STYLE	SIZE	A"	B"	C"	D"	E"	F	G"	SHIPPING LBS.
60A18	18	18	23-1/8	23-3/8	2-5/8	8-3/4	6	27-1/8	20#
60A24	24	24	29-1/4	29-1/2	2-5/8	8-3/4	6	33-1/4	25#
60A30	30	28-1/2	34-1/2	34-3/4	3-3/8	9-1/2	6	38-1/2	50#
60A36	36	34-1/2	40-1/4	40-1/2	3-3/8	9-1/2	8	44-1/4	75#
60A42	42	41	46-7/8	47-1/8	3-3/8	9-1/2	10	50-7/8	150#
60A54	54	54	65	65-1/2	4-5/8	10-5/8	16	70	250#