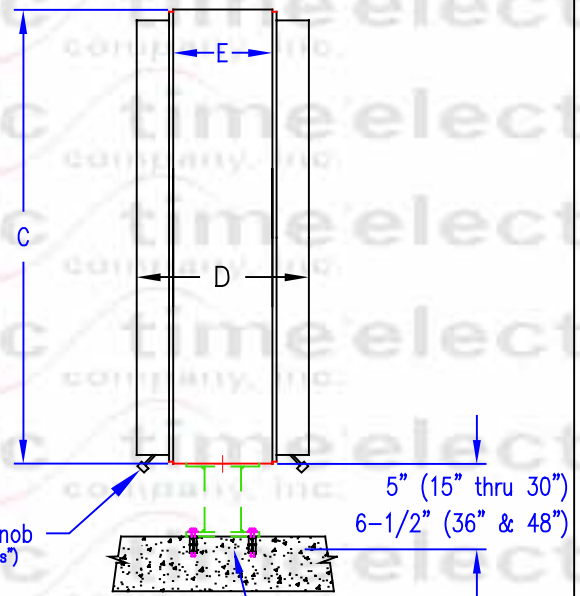
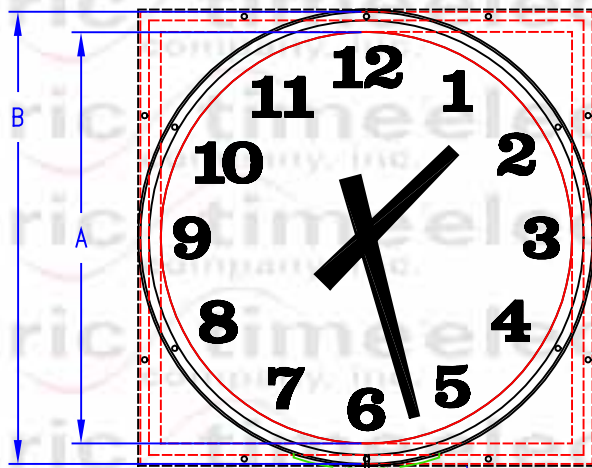
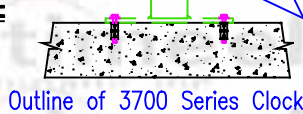


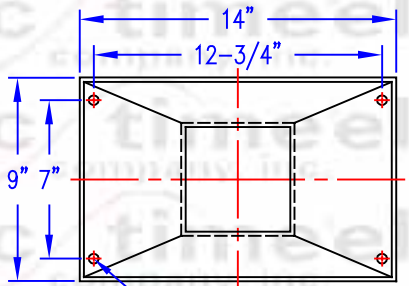
**STYLE 3700 (SQUARE) & 6700 (ROUND)
DOUBLE FACED CLOCKS - 15" TO 48" SIZES**



FACE

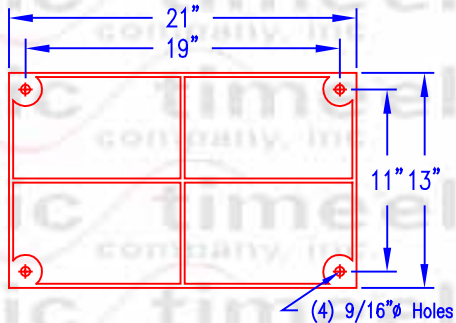


Outline of 3700 Series Clock



(4) 7/16" \varnothing Holes

SIZES 15" THRU 30"



(4) 9/16" \varnothing Holes

SIZES 36" THUR 48"

Setting Knob
(See "Specifications")

Mounting Saddle
(Optional)

Bottom View of Mounting Saddle
Showing Mounting Locations

Note: Specifications subject to change without notice.

SPECIFICATIONS

Shown with Face "T" and "CS" Hands.
Clear acrylic crystal provided on sizes from 15" to 36"; clear tempered glass crystal provided on 42" and 48" sizes.
Clock is set from the front by means of a pendent set knob (sizes 15" thru 30" single motored only), and a pull cord, or from the back (36", 42", and 48" sizes).
Case finish with a satin black polyurethane finish.
OPTIONS:
Style 99A-DM automatic reset control, refer to manual M114.
Clock case can be provided in different finishes.
Polycarbonate crystals available through 30".
Other dial markings and hands, refer to data sheets 439, 452, 453.

3700/6700 SERIES - DOUBLE FACED CLOCKS

STYLE	SIZE	A"	B"	C"	D" (MOTORED)		E" (MOTORED)		SHIPPING	
					(SINGLE)	(DUAL)	(SINGLE)	(DUAL)	LBS.	6600
3715/6715	15	15	17-3/8	17-5/8	11-3/8	14-3/8	7	10	55	45
3724/6724	24	24	26-3/8	26-5/8	11-3/8	14-3/8	7	10	116	102
3730/6730	30	30	32-3/8	32-5/8	11-7/8	14-7/8	7	10	152	144
3736/6736	36	36	38-3/8	38-5/8	15-5/8	15-5/8	9	9	234	220
3742/6742	42	41	43-7/8	44-1/8	15-5/8	15-5/8	9	9	275	256
3748/6748	48	47	49-7/8	50-1/8	15-5/8	15-5/8	9	9	316	271