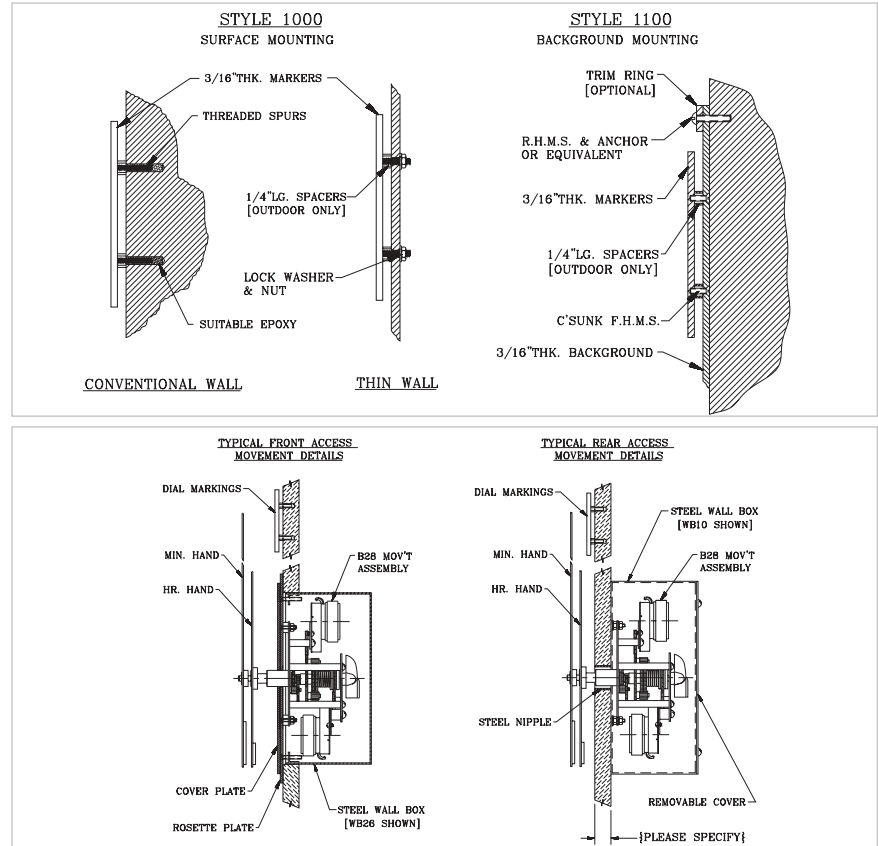


## SILHOUETTE CLOCKS

**FOR TOWER AND INDOOR APPLICATIONS IN SIZES FROM 12" TO 30'.**

Style 1000/1100 clocks consist of 3/16" thick markers as selected from page 5, cut from aluminum, brass, bronze, or stainless steel, directly applied to the wall surface (Style 1000) or attached to a metal background (Style 1100). The clock movement is installed into the wall from either the front or the rear depending on the wall construction and access.



**PHOTO TOP LEFT:** Outdoor Style 1100 Silhouette Clock 60" in diameter, with type MS-A hands, type A dial markings, and special trim ring to have a custom green painted finish, color to be selected by architect. Rear access movement to accommodate a 1 3/4" thick wall. Type 99B remote reset control to be located in building electrical room.

**PHOTO BOTTOM LEFT:** Johnny Rockets Los Angeles, CA. Special front access Style WP-1030 Clock with "CS" hands and special trim ring and dial markings.

**PHOTO BOTTOM. RIGHT:** Ty-Wood Manufacturing Facility. Style WPL-1072 Clock with "CS" hands.