



Designing Time<sup>TM</sup>

## ABOUT US

Electric Time Company has been in continuous operation since the early 1900's. We are an offshoot of Telechron, the first self-starting synchronous electric clock company. Incorporated in the state of Massachusetts, USA, in 1928, we have grown to a firm that has thousands of tower clock and street clock installations on every continent.



1950 Factory

Our current 50,000 square foot (4,645 square meter) facility allows us the space and resources to design, manufacture and support our products. Standard and custom tower and street clocks are designed by our full time engineering department using state of the art 3D modeling software. We make our own clock movements and properly design them to fit in the enclosure or surrounding structure. If the clock is lighted, we make sure there are no shadows and the clock is evenly lighted with the correct color temperature. In the case of clock hands and structures, we perform FEA analysis (finite element analysis) on the design to be certain they will stand up to wind and environmental conditions.



50,000 Square Foot Manufacturing Facility - Medfield, Massachusetts, USA

After a product is designed, it's typically sent to our 6' x 12' CNC controlled waterjet cutting machine and then to fabrication in one of our multiple welding and fabrication stations. In addition to the work stations, we employ rolling machines, an 11' x 11' CNC router and a 175 ton CNC controlled press brake for bending metal to fabricate our clocks.



Gold Leaf Being Applied to a Street Clock

Electric Time has a complete metal finishing department - offering line & circle graining and polishing, on almost any metal. Our paint finishes are applied in environmentally controlled chambers and have been tested by a National Testing Lab for UV stability, abrasion and corrosion resistance.

Products are assembled by our skilled technicians, inspected by our quality department and then shipped in engineered crates to your project location.



Waldorf Astoria - Clock in Assembly - Orlando, Florida, USA

As required by electrical codes, by OSHA and by most insurance companies, our products are listed for electrical safety under CUL (Canadian UL) UL and ETL.



Installation, service and support is available worldwide. We keep meticulous records of your project - both electronic and paper. Unique in almost any industry, we can still repair any of our products, including those dating back to the 1920's.

Our dedicated and professional staff, who have been with us on average over 15 years, looks forward to assisting you on your next project.



Lake Sumter Landing Florida, USA

## 1000 SILHOUETTE - MARKERS ON WALL

12"/30CM- 40'/1220CM

Part Number: 10XX

## Product Description

Silhouette Design tower clock or skeletal tower clock for indoor and outdoor applications in sizes from 12" to 40'. Features include:

- Available with background see Style 1100.
- Clock consists of raised dial markings (typically aluminum) applied to the wall surface.
- Clock movement typically accessed from the rear.
- Front access available where rear access is not possible.
- Shown with Type "MS-A" hands and Type "O" dial markings.
- Available with any of our dial markings and hands, or ones of your own design.
- Controller required for operation.

## Reference

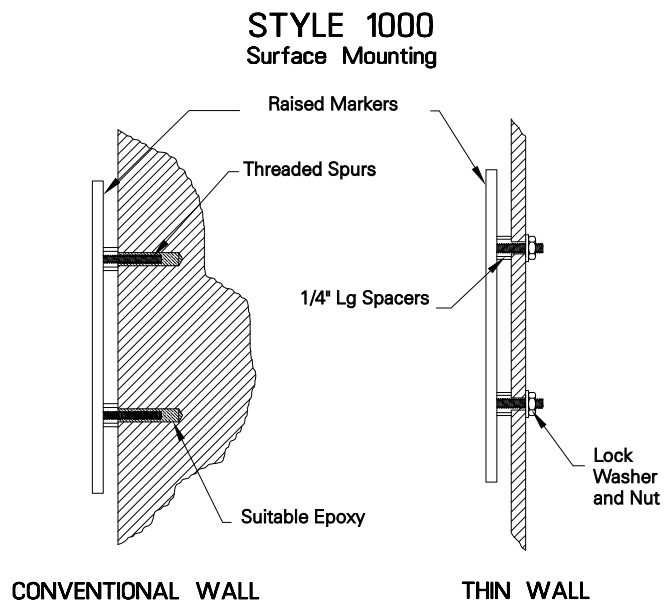
- Data Sheet 471
- CSI Specification
- Request Info
- Online Information



Townridge Square Shopping Center  
Raleigh, NC  
(Photo Credit - Zeisler Morgan Properties)



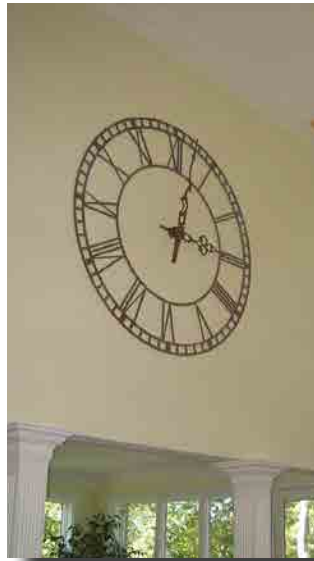
Style 1000 Front Access Clock  
with Special Trim Ring  
Prepared for Shipment



# INSTALLATIONS - 1000 SILHOUETTE



Darden School of Business - University of Virginia



Great Room Private Residence



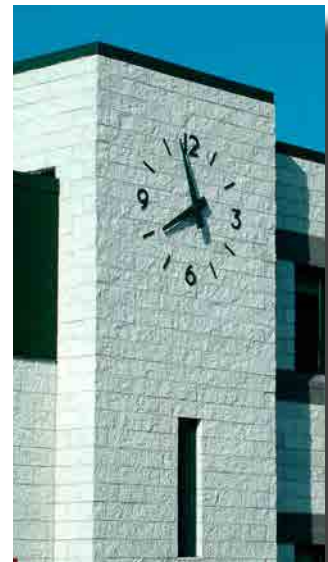
Needham Town Hall, MA



Granite City Food and Brewery  
Sioux Falls, SD



Port of Los Angeles Police Headquarters  
San Pedro, CA



Ty-Wood Corp.  
Holliston, MA

# 1100 SILHOUETTE - MARKERS ON BACKGROUND

12"/30CM- 40'/1220CM  
Part Number: 11XX

## Product Description

Silhouette Design tower clock with background for indoor and outdoor applications in sizes from 12" to 40'. Features include:

- Available without background see Style 1000.
- Clock consists of raised dial markings (typically aluminum) applied to the background plate.
- Clock movement typically accessed from the rear.
- Front access available where rear access is not possible.
- Shown with Type "WS" hands and Type "AI" dial markings.
- Available with any of our dial markings and hands, or ones of your own design.
- Controller required for operation.



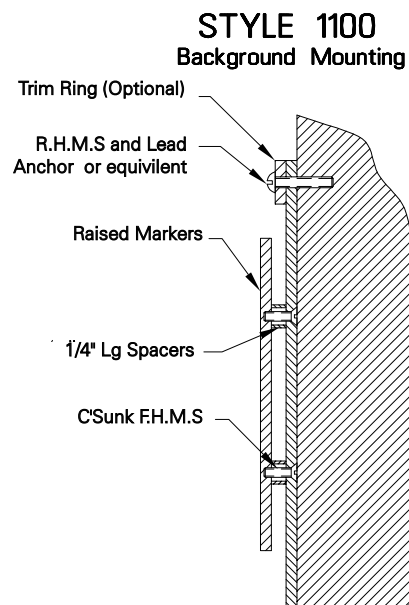
Westwood Fire Station

## Reference

- Data Sheet 471
- CSI Specification
- Request Info
- Online Information



Style 1100 Clock in our factory



# INSTALLATIONS - 1100 SILHOUETTE



Vail Marriot Mountain Resort - CO



Union One Building Lakewood, CO



King Street Station Seattle, WA



Snow's Garden Center Orleans, MA



Theme Park Orlando, FL



Jennings Clock Tower

# 2400 + 4600 FLUSH BACKLIGHTED

2400 18"/46CM- 60"/152CM BACKLIGHTED  
 4600 72"/183CM- 96"/244CM BACKLIGHTED  
 Part Number: 24XX/46XX

## Product Description

Illuminated tower clocks available in sizes from 18" to 60" and 72" to 96". Larger sizes available on special request. Features include:

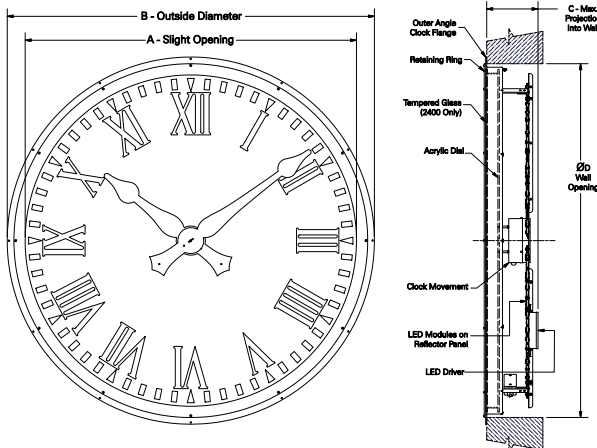
- LED Backlighting.
- Also available with color-changing RGB LED's.
- Available with any of our dial markings and hands, or ones of your own design.
- On custom order this clock design can be manufactured to fit any size or shape tower opening be it square, rectangular, octagonal, or elliptical.
- UL & CUL Listed.
- Controller required for operation.
- Typically requires rear access for servicing.



Cole Taylor Bank  
Chicago, IL

## Reference

- Data Sheets 519 + 499
- CSI Specification
- Request Info
- Online Information

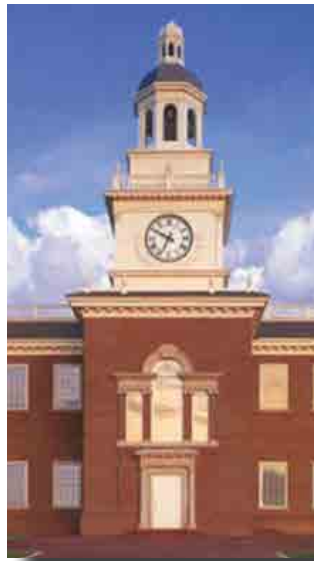


STYLE	SIZE	A"	B"	C"	D" +/- 3/8
2418	18	17 1/2	21 3/8	7 1/2	19 5/8
2424	24	23 1/2	27 3/8	7 1/2	25 5/8
2430	30	29	34 3/8	8 1/2	32
2436	36	35	40 3/8	9 1/2	38
2442	42	41	46 3/8	9 1/2	44
2448	48	47	52 3/8	9 1/2	50
2454	54	52	58 3/8	9 1/2	56
2460	60	59	65 3/8	9 1/2	63
4672	72	72	78 3/8	11	76 1/8
4684	84	84	90 3/8	11	88 1/8
4696	96	94 1/2	101 7/8	11	99 5/8

INSTALLATIONS - 2400 + 4600 FLUSH BACKLIGHTED



Falmouth, MA



Dallas Baptist University  
Dallas, TX



Clinton Elementary School  
Dedham, MA  
(Dore + Whittier Architects)



The Waterfront  
Hamilton, Bermuda



RGB Lighting



Towson University  
Towson, MD



# 60A00 SURFACE EDGELIGHTED

## 18"/46CM-54"/137CM EDGELIGHTED

Part Number: 60AXX

### Product Description

Surface mounted LED edge lighted tower clock available in 18" through 54" sizes. Features include:

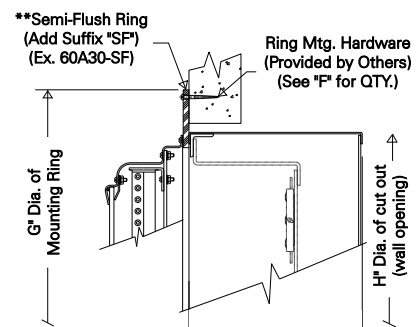
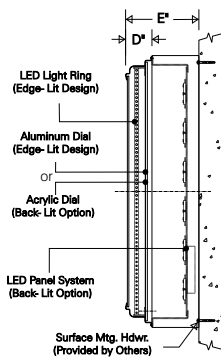
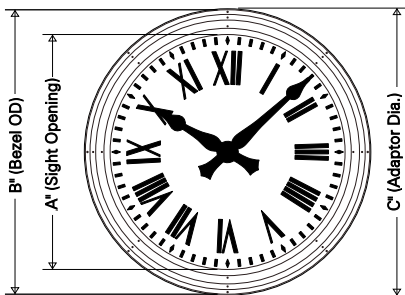
- Semi flush mounted also available without canister see Style 61A00.
- Semi-flush ring available for recessed mounting.
- Available with any of our dial markings and hands, or ones of your own design.
- LED Edge-Lighting.
- Also available with color-changing RGB LEDs.
- Backlighting available on special order.
- UL & CUL Listed.
- Controller required for operation.

### Reference

- Data Sheet 74
- Drawing A-4668
- CSI Specification
- Request Info
- Online Information



Health Care Facility  
Needham, MA

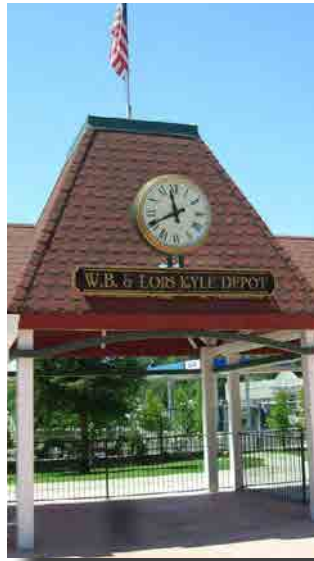


STYLE	A"	B"	C"	D"	E"	F	G"	H"
60A18	18	23 1/8	23 3/8	2 3/4	8 3/4	6	27 1/8	23 7/8
60A24	24	29 1/4	29 1/2	2 3/4	8 3/4	6	33 1/4	30
60A30	28 1/2	34 1/2	34 3/4	3 1/2	9 1/2	8	38 1/2	35 1/4
60A36	34 1/2	40 1/4	40 1/2	3 1/2	9 1/2	8	44 1/4	41
60A42	41	46 7/8	47 1/8	3 1/2	9 1/2	10	50 7/8	47 5/8
60A54	54	65	65 1/2	4 3/4	10 3/4	16	70	66 1/4

INSTALLATIONS - 60A00 SURFACE EDGELIGHTED



Johnny Rockets  
Cincinnati, OH



Roeding Park  
Fresno, CA



C-Market  
Sedona, AZ



Retirement Village  
Australia



Elliot Lake  
Ontario, Canada



People's United Bank  
Northampton, MA

# 61A00 SEMI-FLUSH EDGELIGHTED

18"/46CM-54"/137CM EDGELIGHTED  
Part Number: 61AXX

## Product Description

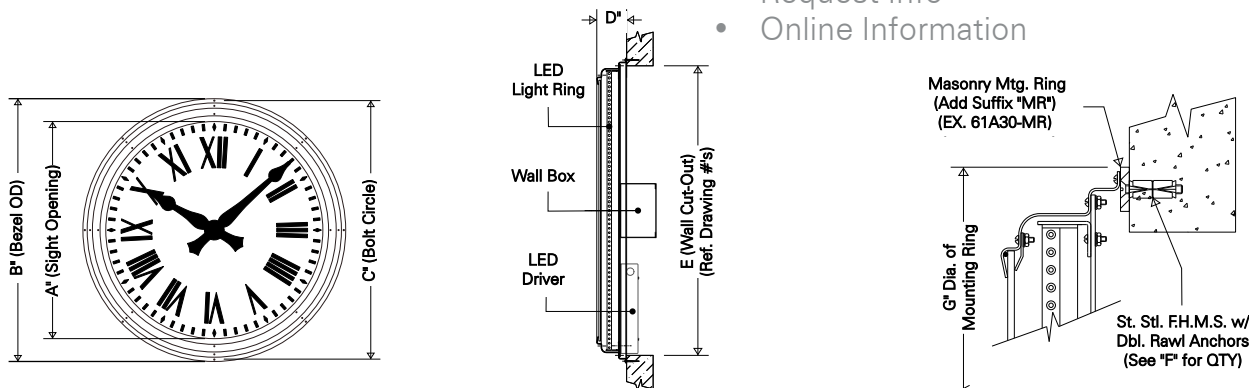
Semi-flush mounted LED edge lighted tower clock available in 18" through 54" sizes. Features include:

- Surface mounted also available see Style 60A00.
- Masonry mounting ring available for mounting to masonry or EIFS surfaces.
- Shown with dial markings type "J" and hand type "LS".
- Available with any of our dial markings and hands, or ones of your own design.
- LED Edgelighting.
- Also available with color-changing RGB LEDs.
- UL & CUL Listed.
- Controller required for operation.



## Reference

- Data Sheet 73
- CSI Specification
- Request Info
- Online Information



STYLE	SIZE	A"	B"	C"	D"	E"	F	G"
61A18	18	18	23 1/8	22 5/8	2 5/8	A-8005	3	23 3/8
61A24	24	24	29 1/4	28 3/4	2 5/8	A-6513	4	29 1/2
61A30	30	28 1/2	34 1/2	34	3 3/8	A-6517	4	34 3/4
61A36	36	34 1/2	40 1/4	39 13/16	3 3/8	A-5067	6	40 1/2
61A42	42	41	46 7/8	46 7/16	3 3/8	A-5040	6	47 1/8
61A54	54	54	65	64	4 5/8	A-7445	8	65 1/2

INSTALLATIONS - 61A00 SEMI-FLUSH EDGELIGHTED



Brown Bear Car Wash  
Poulsbo, WA



Americana Diner  
E. Windsor, NJ



Old Orchard Mall  
Skokie, IL

# 6500 ROUND/3500 SQUARE SEMI-FLUSH

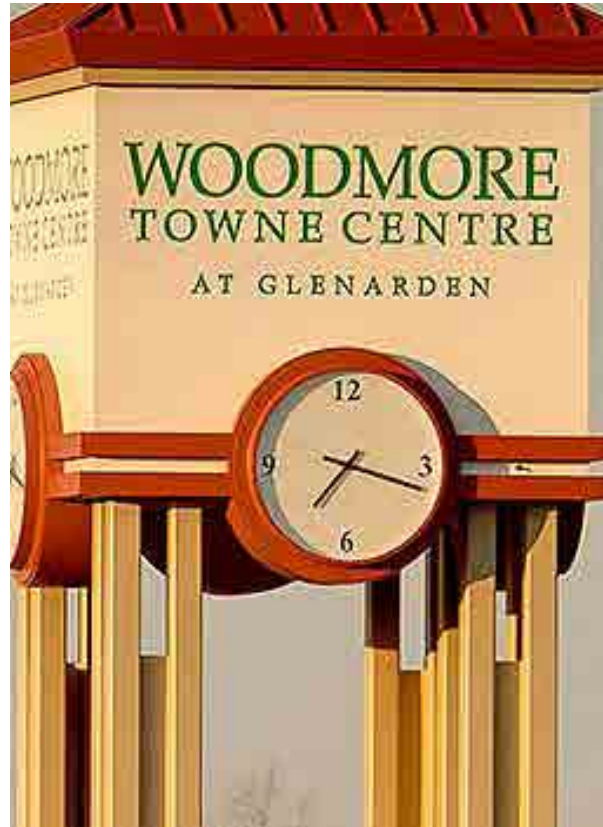
## 15"/38CM-48"/122CM UNLIGHTED

Part Number: 65XX/35XX

### Product Description

Semi-flush tower clock design available in sizes from 15" to 48", round or square. Features include:

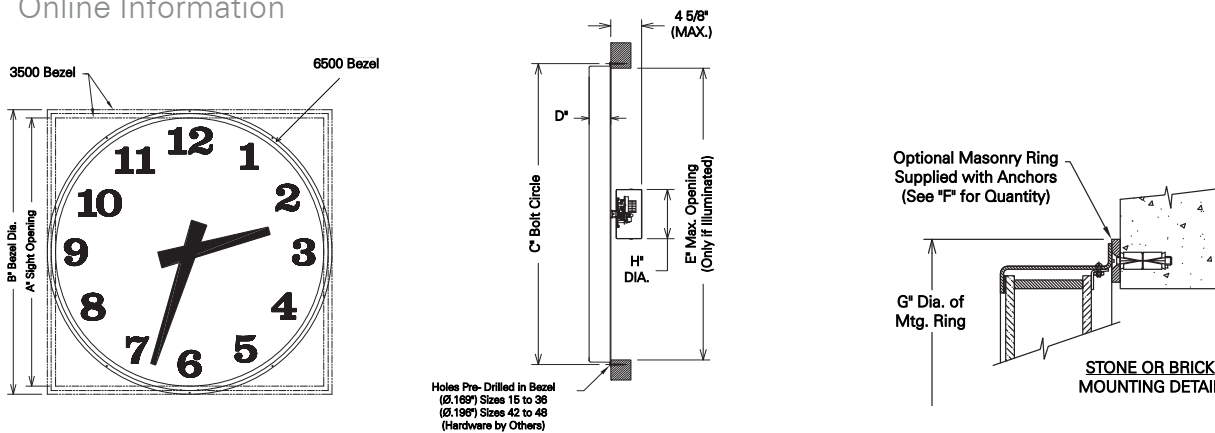
- Ready to mount to the surface of a sign cabinet or wall with small cutout for movement.
- Masonry ring available for mounting to masonry or EIFS surfaces.
- Illumination by others.
- For square specify Style 3500.
- Available with any of our dial markings and hands, or ones of your own design.
- Control required for operation.



Glenarden, MD

### Reference

- Data Sheet 454
- Drawing A-4566
- CSI Specification
- Request Info
- Online Information

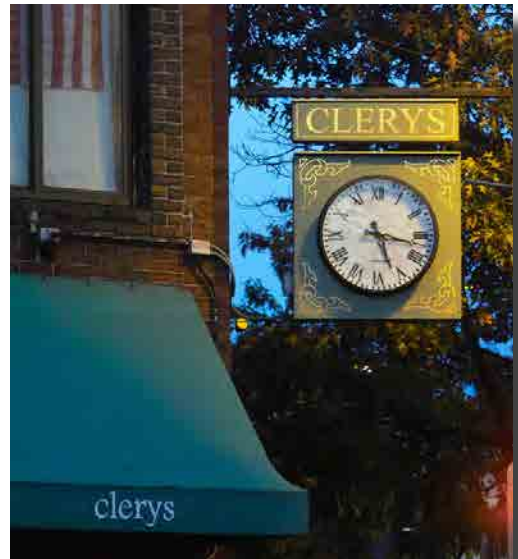


STYLE	A"	B"	C"	D"	E"	F	F	G"	H"
3500	6500					(6500 only)	(3500 only)		
3515	6515	15	17 3/8	17	2 1/8	3	4	17 5/8	6 3/8
3524	6524	24	26 3/8	26	2 1/8	4	4	26 5/8	6 3/8
3530	6530	30	32 3/8	32	2 3/8	4	6	32 5/8	6 3/8
3536	6536	36	38 3/8	38	3 1/4	6	6	38 5/8	8
3542	6542	41	43 7/8	43 3/8	3 1/4	6	8	44 1/8	8
3548	6548	47	49 7/8	49 3/8	3 1/4	6	8	50 1/8	8

INSTALLATIONS - 6500 ROUND/3500 SQUARE SEMI-FLUSH



Shallowford Square  
Lewisville, NC



Boston, MA



Promenade at Chenal  
Little Rock, AR



Milford Landing  
Pike County, PA

# 6600 ROUND/3600 SQUARE SURFACE BACKLIGHTED

15"/38CM-48"/122CM BACKLIGHTED  
 54"/137CM-96"/244CM BACKLIGHTED  
 Part Number: 66XX/36XX

## Product Description

Surface Mounted Canister backlighted tower clock design available in sizes from 15" to 96". Features include:

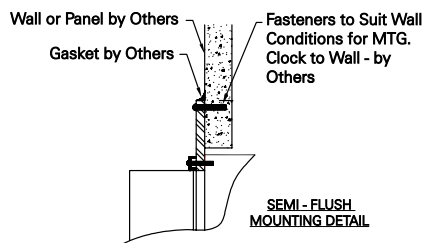
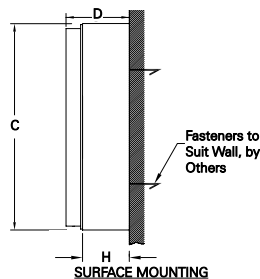
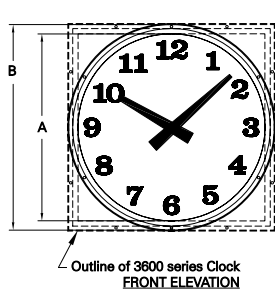
- Completely weathertight canister.
- LED backlighting.
- Also available with color-changing RGB LEDs.
- Semi - flush ring available for recessed mounting.
- For square specify Style 3600.
- Shown with Type "LS" hands and Type "PA" dial markings.
- Available with any of our dial markings and hands, or ones of your own design.
- Larger or custom shapes available on special order.
- UL & CUL Listed.
- Controller required for operation.



STYLE		A"	B"	C"	D"	H"
3600	6600					
3615	6615	15	17 3/8	17 5/8	8 1/4	6
3624	6624	24	26 3/8	26 5/8	8 1/4	6
3630	6630	30	32 3/8	32 5/8	8 5/8	6
3636	6636	36	38 3/8	38 5/8	9 3/8	6
3642	6642	41	43 7/8	44 1/8	9 3/8	6
3648	6648	47	49 7/8	50 1/8	9 3/8	6
3654	6654	55	59	58 5/8	12 1/2	n/a
3660	6660	60	64 1/4	63 5/8	12 1/2	n/a
3672	6672	73 1/4	77 1/4	76 5/8	12 1/2	n/a
3684	6684	85	90	89 1/2	12 3/8	n/a
3696	6696	93 3/4	98 3/4	98 1/4	12 3/8	n/a

## Reference

- Data Sheet 455
- Drawing B-4311(sf)
- CSI Specification
- Request Info
- Online Information



INSTALLATIONS - 6600 ROUND/3600 SQUARE SURFACE BACKLIGHTED



Ville de Magog  
Quebec, Canada



University of  
Connecticut



Tiburon Town Hall  
Tiburon, CA



Kaunas, Lithuania



San Pedro  
Square Market  
San Jose, CA



Saint Louis Zoo  
Saint Louis, MO



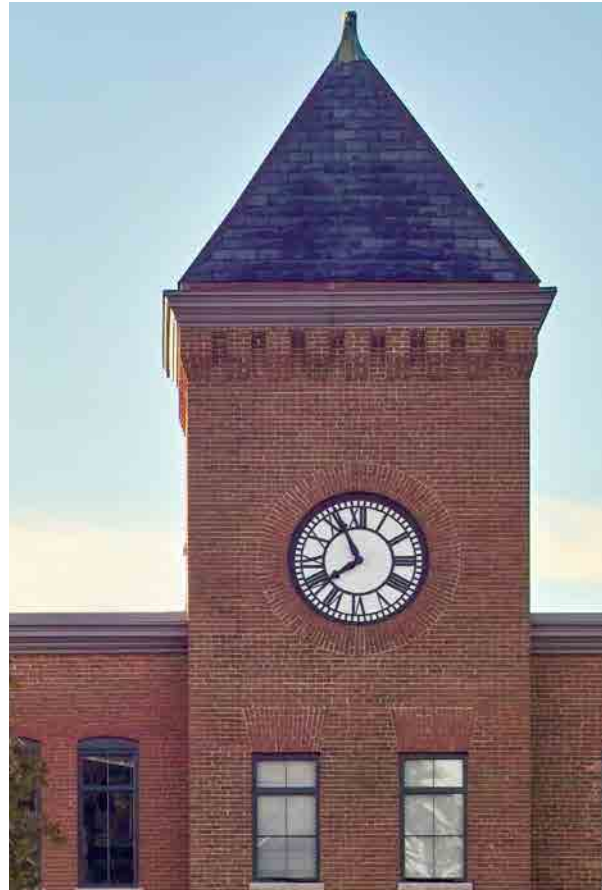
# 8000 OVERLAY FLUSH BACKLIGHTED

18"/46CM-96"/244CM BACKLIGHTED  
Part Number: 80XX

## Product Description

Illuminated Overlay Design flush-mounted tower clock available in 18" to 96" standard sizes. Features include:

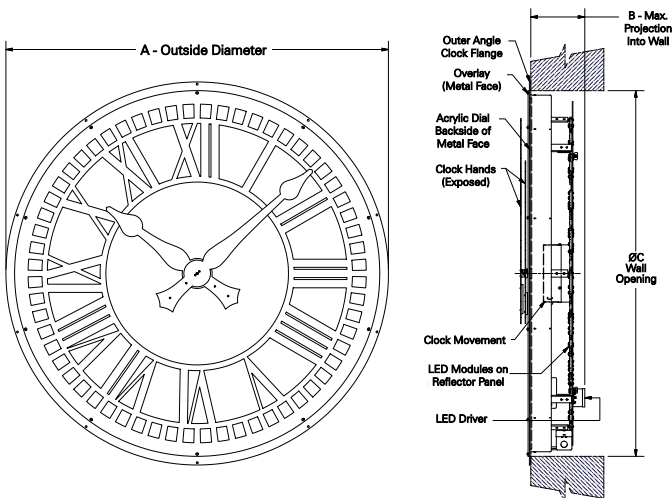
- Shown with Type "ES" hands and Type "Y" dial markings.
- Also available with "Q" or "U" dial markings or other single piece overlay styles.
- LED Backlighting.
- Also available with color-changing RGB LEDs.
- Sizes larger than 96" are available by special order.
- UL & CUL Listed.
- Controller required for operation.
- Typically requires rear access for servicing.



E.Howard Building  
Waltham, MA

## Reference

- CSI Specification
- Request Info
- Online Information



Style	A"	B"	C"
8018	21 3/8	10	19 5/8
8024	27 3/8	10	25 5/8
8030	34 3/8	10	32
8036	40 3/8	10	38
8042	46 3/8	10	44
8048	52 3/8	10	50
8054	58 3/8	11	56
8060	65 3/8	11	63
8072	73 3/4	11	71 1/2
8084	85 3/4	11	83 1/2
8096	97 3/4	11	95 1/2

INSTALLATIONS - 8000 OVERLAY FLUSH BACKLIGHTED



Mansfield Train Station  
Mansfield, MA



Portofino Bay  
Orlando, FL



Franklin Country  
Courthouse - WA



American Watchmakers  
Institute Clock



Pleasant Hill, CA



The Timbers  
Snowmass Village, CO

# 8100 OVERLAY SURFACE BACKLIGHTED

18"/46CM-96"/244CM BACKLIGHTED  
Part Number: 81XX

## Product Description

Illuminated Surface Mounted Overlay Design Canister Style tower clock available in 18" to 96" standard sizes. Features include:

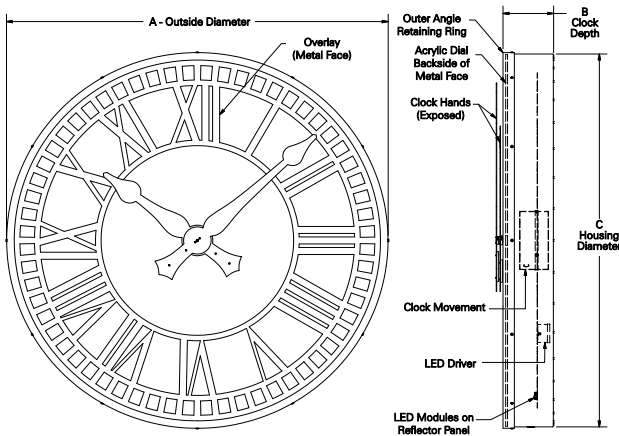
- Shown with Type "DS" hands and Type "R" dial markings.
- Also available with "Q", "Y", or "U" dial markings and other single piece overlay styles.
- LED Backlighting.
- Also available with color-changing RGB LEDs.
- Sizes larger than 96" are available by special order.
- UL & CUL Listed.
- Controller required for operation.



Ashland High School  
Ashland, MA

## Reference

- CSI Specification
- Request Info
- Online Information



Style	A"	B"	C"
8118	21	6 3/8	20 5/8
8124	27	6 3/8	26 5/8
8130	33	8 3/8	32 5/8
8136	39	8 3/8	38 5/8
8142	44 1/2	10 3/8	44 1/8
8148	50 1/2	10 3/8	50 1/8
8154	59 1/4	12 1/2	58 5/8
8160	64 1/4	12 1/2	63 5/8
8172	77 1/4	12 1/2	76 5/8
8184	90	12 1/2	89 1/2
8196	98 3/4	12 1/2	98 1/4

# INSTALLATIONS - 8100 OVERLAY SURFACE BACKLIGHTED



Naper West Plaza  
Naperville, IL



Conant High School  
Hoffman Estates, IL



Sherrill House  
Jamaica Plain, MA



Breckenridge, CO



Franklin Hill  
Dorchester, MA



Lake Jackson Fire  
and EMS, TX

# 63A00 DOUBLE DIAL EDGELIGHTED

## 18"/46CM-54"/137CM EDGELIGHTED

Part Number: 63AXX

### Product Description

Double Dial edge lighted tower clock available in 18" through 54" sizes. Features include:

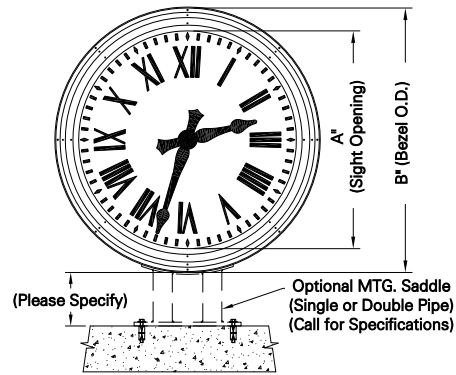
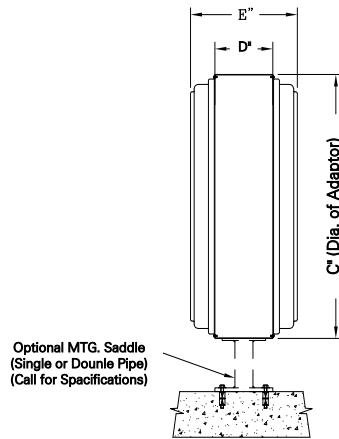
- Available with any of our dial markings and hands, or ones of your own design.
- LED Edgelighting.
- LED Backlighting also available.
- Also available with color-changing RGB LEDs.
- Shown with Type "LS" hands and custom dial markings.
- Double or single pipe mounting, custom brackets available.
- UL & CUL Listed.
- Controller required for operation.



Custom Bracket  
Old Navy  
San Francisco, CA

### Reference

- Data Sheet 457
- CSI Specification
- Request Info
- Online Information



Style	Size	A"	B"	C"	D"	E"
63A18	18	18	23 1/8	23 3/8	8	13 1/4
63A24	24	24	29 1/4	29 1/2	8	15 1/4
63A30	30	28 1/2	34 1/2	34 3/4	9	16 3/4
63A36	36	34 1/2	40 1/4	40 1/2	9	15 3/4
63A42	42	41	46 7/8	47 1/8	9	15 3/4
63A54	54	54	65	65 1/2	9	18 3/8

## INSTALLATIONS - 63A00 DOUBLE DIAL EDGELIGHTED



Seoul Cyber  
University Gate Clock  
Kangbuk-Ku, Korea



Time For a Pint  
San Francisco, CA



Style 63A00  
Ceiling Hung



The Pub  
Orlando, FL



Willis Fine Jewelers  
Rockwall, TX  
(See our Bracket Clock  
Brochure for additional designs)



TE Kauwhata  
New Zealand

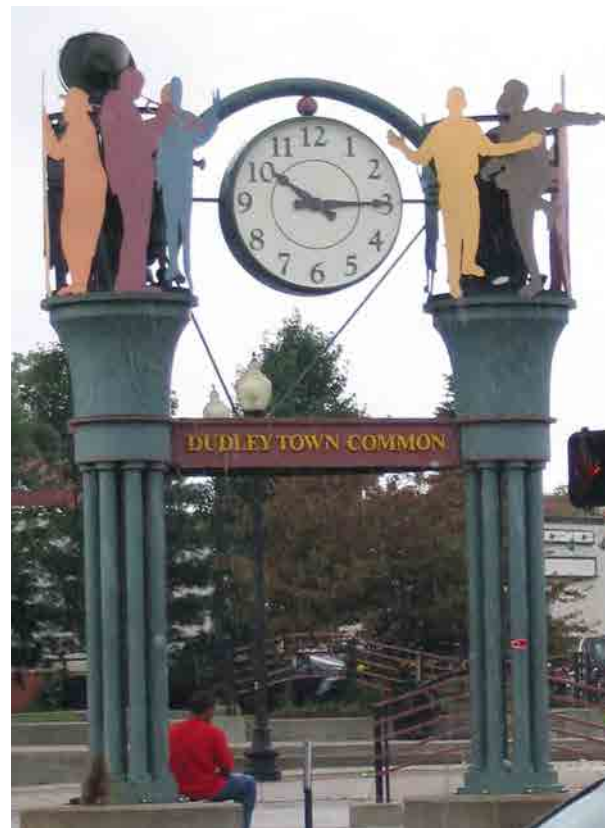
# 6700 ROUND/3700 SQUARE DOUBLE DIAL BACKLIGHTED

15"/38CM-48"/122CM BACKLIGHTED  
 Part Number: 67XX ROUND/ 37XX SQUARE

## Product Description

Double Dial Canister backlighted tower clock design available in sizes from 15" to 48". Features include:

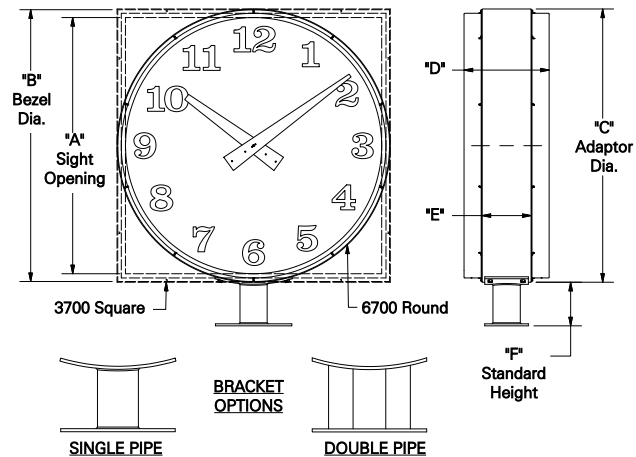
- Larger Sizes available.
- LED Backlighting.
- Also available with color-changing RGB LEDs
- Double or Single pipe mounting bracket.
- Shown with Type "WS" hands and custom dial markings.
- Available with any of our dial markings and hands, or ones of your own design.
- UL & CUL Listed.
- Controller required for operation.



Dudley Town Common  
 Dudley, MA

## Reference

- Data Sheet 456
- CSI Specification
- Request Info
- Online Information



Style	Size	A"	B"	C"	D"	E"	F"
3715	6715	15	15	17 3/8	17 5/8	12 3/8	8
3724	6724	24	24	26 3/8	26 5/8	12 3/8	8
3730	6730	30	30	32 3/8	32 5/8	14 1/8	9
3736	6736	36	36	38 3/8	38 5/8	15 5/8	9
3742	6742	42	41	43 7/8	44 1/8	15 5/8	9
3748	6748	48	47	49 7/8	50 1/8	15 5/8	9

INSTALLATIONS - 6700 ROUND/3700 SQUARE DOUBLE DIAL BACKLIGHTED



City of Windsor  
ON, Canada



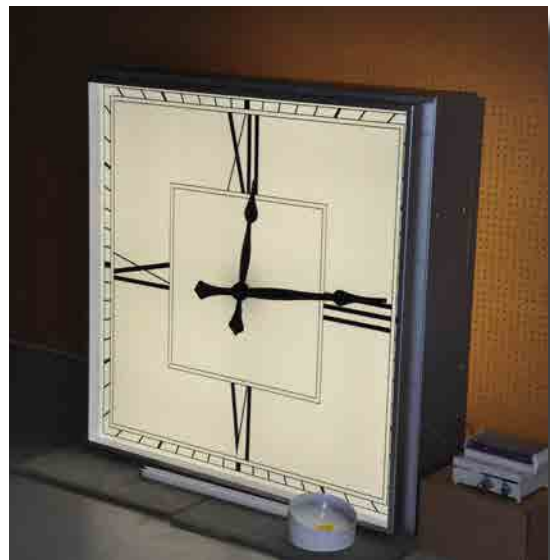
Style 6724  
with Long Stem



Kingston Station  
Boston, MA



Al Ahlyya Amman  
University - Jordan



Square Double Dial Design  
Berwyn, IL



## 40900/42900 GALLERY CLOCK

15"/38CM, 24"/61CM & 40"/102CM GALLERY CLOCK  
 15"/38CM & 24"/61CM SEMI-FLUSH GALLERY CLOCK  
 Part Numbers: 409XX/429XX

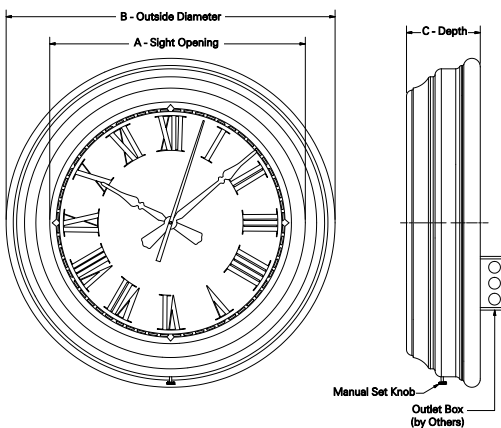
## Product Description

- Style 409XX and 429XX Clocks are an indoor clock based on the design of a clock manufactured in the early 1900's. Larger sizes are appropriate for large public spaces. The clock design consists of a spun metal case, electric movement (battery available on 15" size). Standard dial markings design "F1" and hands "FS". The case is furnished with an antique brass finish, polished brass finish, or painted finish. On special order any of our standard dial markings and hand designs are available, and/or special finishes.



## Standard Sizes

- 40915, 15" size
- 40924, 24" size
- 40940, 40" size
- 42915, 15" size
- 42924, 24" size



## Reference

- Data Sheet 459 (409XX)
- Data Sheet 505 (429XX)
- CSI Specification
- Request Info
- Online Information

Style	Sight Opening	Outside Diameter	Depth of Case
40915	11 1/2"	15 5/8"	3 1/2"
40924	18"	24 1/2"	5 1/2"
40940	29 3/8"	40"	9"
42915	11 1/2"	15 5/8"	2 1/8"
42924	18"	24 1/2"	3 1/2"

# INDOOR CLOCKS

## Standard Specifications

**Case** aluminum - round, aluminum - square

**Crystal** 12"- 15" flat glass. (9" Convex glass) 18" - 24" tempered flat glass. Acrylic or polycarbonate crystals optionally available.

**Movement** Standard - 115 Volts, 60 Hertz synchronous movement. All brass gear train.

Battery - Quartz battery movement optionally available on clocks through 16" by specifying the suffix QB after the clock style number.

**Wall Box** WB8 Wall box furnished as standard for semiflush designs, round & square clocks. WB5CS wall box furnished standard in double-faced clocks through 16". WB14 Wall box for 18" and 24" sizes.

**Finishes** Refer to table for standard finishes.

Custom finishes available upon request. Contact the factory for details.

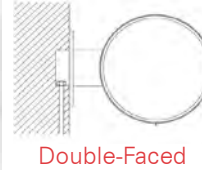
**Hands** Refer to table for standard hands. Custom hands or any of the hand designs as shown throughout our catalog. Contact the factory for details.

**Dials** Made of metal as shown. Any of the dial styles as shown on this page can be specified by placing the dial style prefix in front of the clock style number.

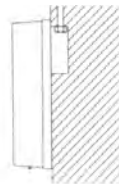
**Weatherproof** Weatherproof designs available in the 12" through 24" round surface mounted clocks. Specify the prefix "WP" before the clock style number.

## Style 5000 & 2000

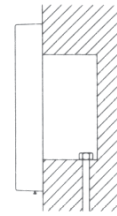
Style 5000 (round) and 2000 (square) clocks are available in standard sizes from 9" to 24" in either surface, semi-flush, or double-faced versions.



Double-Faced



Surface



Semi-Flush



Style E



Astro Style ER



Style M



Attache Style MR



Style H



Big H Style HR



Style T



Clarendon Style TR



Style D



Gemini Style DR



Style G



Monitor Style GR



Style F



Patriot Style FR



Style K



Urbanite Style KR



Style S



Solaris

### Table 1 Key

X indicates standard style

R indicates reversed screening

\* indicates black on bright white dial

### Table 2 Key

\* Clocks are provided standard

with a convex glass crystal

\*\* If QB movement case depth

is  $1\frac{15}{16}$ "

Table 1	Dials		Hands				Cases					
	White-on-Black Dial	Black-on-Off White Dial	White Tapered	White Stick	Black Tapered	Black Stick	Orange Sweep Second	Yellow Sweep Second	Red Sweep Second	Black	Satin Aluminum	White
Astro - Style E	R	*X		R		X	X/R					X/R
Attache - Style M	R	X	R		X			R	X	X/R		
Big H - Style H	R	X		R		X	X	R		X/R		
Clarendon - Style T	R	X	R		X		R		X	X/R		
Gemini - Style D	R	*X		R		X		R	X			X/R
Monitor - Style G	R	X	R		X		R		X		X/R	
Patriot - Style F	R	*X		R		X	R		X			X/R
Solaris - Style S	N/A	X			X				X	X		
Urbanite - Style K	R	X	R		X			X/R		X/R		

Table 2		Surface			Semi-Flush			Double-Faced			
Dial Size	Style	Outside Diameter	Overall Depth	Style	Outside Diameter	Overall Depth	Style	Outside Diameter	Overall Projection from surface	Overall Depth	
	Round			Round			Round				
9"	*5009	9 $\frac{1}{4}$ "	3 $\frac{1}{4}$ "	*5209	9 $\frac{1}{32}$ "	**1 $\frac{1}{8}$ "	*5309	10"	12 $\frac{5}{8}$ "	7 $\frac{7}{8}$ "	
12"	**50912	12 $\frac{5}{8}$ "	3 $\frac{1}{8}$ "	52912	12 $\frac{1}{16}$ "	1 $\frac{15}{16}$ "	53912	12 $\frac{15}{16}$ "	15 $\frac{1}{16}$ "	7 $\frac{3}{8}$ "	
15"	**50915	15 $\frac{5}{8}$ "	3 $\frac{1}{8}$ "	52915	15 $\frac{1}{16}$ "	1 $\frac{15}{16}$ "	53915	15 $\frac{15}{16}$ "	18 $\frac{1}{16}$ "	7 $\frac{3}{8}$ "	
18"	50918	19"	4 $\frac{7}{16}$ "	52918	19"	3"	53918	19"	23"	8 $\frac{1}{8}$ "	
24"	50924	25 $\frac{5}{16}$ "	4 $\frac{7}{16}$ "	52924	25 $\frac{5}{16}$ "	3"	53924	25 $\frac{5}{16}$ "	29 $\frac{5}{16}$ "	8 $\frac{1}{2}$ "	
	Square			Square			Square				
12"	20912	12 $\frac{1}{4}$ "	3 $\frac{1}{4}$ "	22912	12 $\frac{1}{4}$ "	1 $\frac{15}{16}$ "	23912	12 $\frac{1}{16}$ "	15 $\frac{1}{16}$ "	7 $\frac{3}{8}$ "	
16"	20916	16 $\frac{1}{8}$ "	3 $\frac{1}{4}$ "	22916	16 $\frac{1}{8}$ "	1 $\frac{15}{16}$ "	23916	17 $\frac{1}{4}$ "	20 $\frac{1}{4}$ "	7 $\frac{3}{8}$ "	

# OTHER PRODUCTS AND SERVICES



Street Clocks



Bracket Clocks



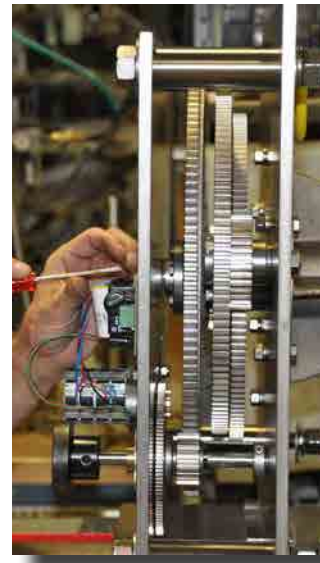
Restoration



Custom



Custom Clock Hands



Clock Movements

Designing Time

# ELECTRIC TIME CO., INC.



16



**electric time**<sup>™</sup>  
company, inc.

97 West Street, Medfield, MA, USA  
02052  
p: 508.359.4396 f: 508.359.4482  
e: sales@electrictime.com  
1.800.531.2562 (USA and Canada only)  
www.electrictime.com

(Photo):  
1950's Natick, MA Factory

(Front Cover Photo):  
Container Park - Las Vegas, NV

REV 2.1 © 2018 Electric Time Company All Rights Reserved